

N° :

Date : 18 sept. 2017

Induction motor with options

4P LS 71M 0,25kW 230VD/400VY 50Hz B5 -

Keyed cylindrical NDE shaft end 14j6x30 ;

Utilisation : Environment Current ; Ambiance Non corrosive ; Finition - ; Zone Non specific ; General applications ; Ambient temperature -16 +40 °C ; Maximum altitude 1000 m.

Motor characteristics : Aluminium alloy housing ; Aluminium alloy DE endshield ; Aluminium alloy NDE endshield.



Motor definition

Protection type	-	Application	General applications
Generation code	-	Main voltage (V)	400
Efficiency class	-	Connection	DY
Number of network phases	3	Motor winding (V)	230VD/400VY
Number of speed	-	Rated Frequency (Hz)	50
Polarity	4P	Operation position	IM3001(IMB5)
Motor serie	LS	Index of protection	IP55
Frame size (mm)	71	Index of cooling	IC411
Lenght code	M	Insulation class	F
HS rated power (kW)	0.250	Finish	-
LS rated power (kW)	-	Moment of inertia J (kg.m2)	0.0006800
Rated speed (min-1)	1425	Motor weight (kg)	6.4
Maximum mechanical speed (min-1)	-		

Common definitions

Paint shade	RAL6000
Paint system	la (1 polyurethane coat 20/30 microns)

Motor mechanical interface

Mounting flange	FF130	Shaft material type	Steel shaft
Drive end shaft type	IEC STANDARD shaft end	Nuance of shaft material	-
Diameter DE shaft (mm)	14j6	Second shaft extension	Keyed cylindrical NDE shaft end
Length DE shaft (mm)	30	Diameter NDE shaft (mm)	14j6
DE bearing mounting	Locked	Second shaft end length (mm)	30
DE bearing type	DE ball bearing	NDE bearing type	NDE ball bearing
DE bearing	6202	NDE bearing	6201
Code Type de graissage	Vie		

Motor electrical interface

Connection network type	Terminal box	Cable type	-
Connection network material	Composite materials	Cable gland material	Polyamide cable gland
Connection network position	A	Main cable gland type	1xPE ISO M16
Connection network orientation	up	Principal cable gland position	Right (1)
Connection network relative position	0		

N° :

Date : 18 sept. 2017

Induction motor with options - 4P LS 71M 0,25kW 230VD/400VY 50Hz B5 -

Motor options

Vibration level	A (25µm ; 1.6mm/s ; 2.5m/s ²)	Cover	Plastic cover
Balancing type	Half-key (H)	Drip proof cover option	-
Impregnation type	< 95% ; -16+40°C (T)	cooling type	-
Winding thermal protection	-	Forced ventilation characteristics	-
Space heater	-	Encoder type	-
Draining plugs position	6H	Encoder characteristics	-
Nameplate material	Aluminium nameplate	Screw material	Steel screw
Endshield thermal protection	-	Adaptation for vibration sensor	-
Reinforced winding insulation	-		

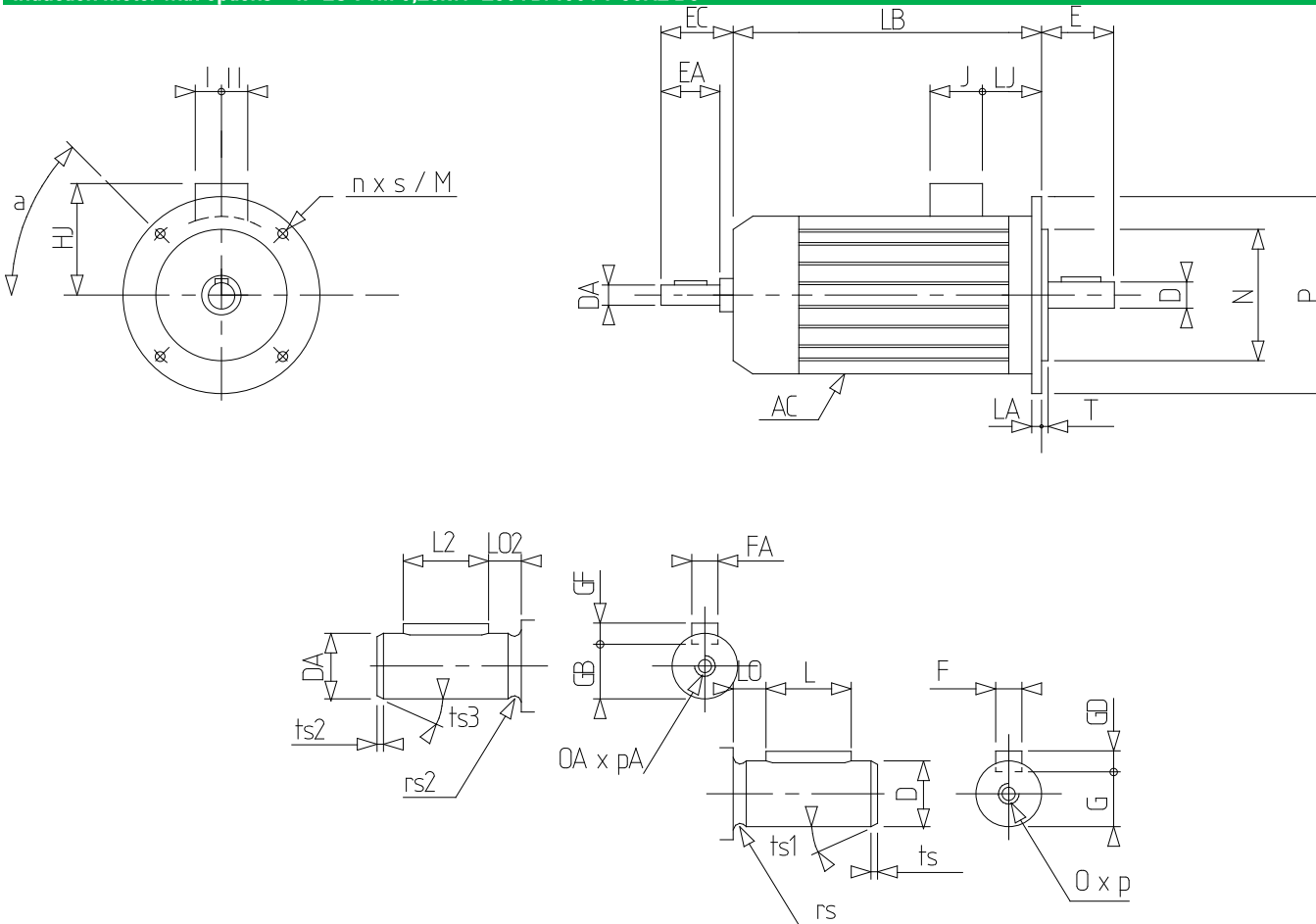
Motor characteristics (on mains supply)

Rated speed (min-1)	1425	Unload maximum starting frequency (d/h)	-
Rated current (A)	0.8	Acoustic pressure level (dB(A))	49
No-load current (A)	-	Power factor at 4/4 of the load	0,65
Id / In	4.63	Power factor at 3/4 of the load	0,55
Rated torque (N.m)	1,68	Power factor at 2/4 of the load	0,44
Starting torque (N.m)	4.59	Efficiency at 4/4 (IEC 60 034-2-1) of the load (%)	67.00
Maximum torque (N.m)	4,93	Efficiency at 3/4 (IEC 60 034-2-1) of the load (%)	65.00
Average starting torque (N.m)		Efficiency at 2/4 (IEC 60 034-2-1) of the load (%)	58.00
Rotor locked time (cold) (s)			

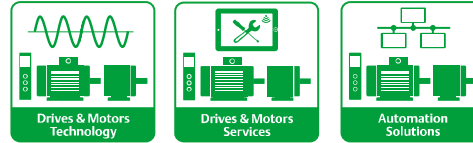
N° :

Date : 18 sept. 2017

Induction motor with options - 4P LS 71M 0,25kW 230VD/400VY 50Hz B5 -



a	45	pA	15
AC	140.00	S	10
D	14j6	T	3.5
DA	14j6		
E	30		
EA	30		
EC	33		
F	5		
FA	5		
G	11		
GB	11		
GD	5		
GF	5		
HJ	100.0		
I	40		
II	40		
J	80		
L	25		
L2	25		
LA	10		
LB	186.0		
LJ	27.0		
LO	4		
LO2	3.5		
M	130		
N	110		
n	4		
O	M5		
OA	M5		
P	160		
p	15		



Data sheet

LEROY-SOMER[™]

The information contained in this data-sheet is for guidance only and does not form part of any contract. The accuracy cannot be guaranteed as our company have an ongoing process of development and reserve the right to change the specification of their products without notice.
Moteurs Leroy-Somer SAS. Siège social : Bd Marcellin Leroy, CS 10015, 16915 Angoulême Cedex 9, France. Capital social : 65 800 512 €, RCS Angoulême 338 567 258.
Control Techniques Limited. Registered Office: The Gro, Newtown, Powys SY16 3BE. Registered in England and Wales. Company Reg. No. 01236886.

Version V8.177