

Single-phase motor ABS 90 L 2

AB09L2100022-P : V105543 : : :

General data

Kind of motor	1~
Type designation	ABS
Frame size	90
Mounting form	B3
Frame execution	L
Frame material	Aluminium
Insulation class	F/B
Terminal box location	top DE
Terminal box orientation	cable gland to the back side NDE
Weight (kg)	15,00
Rotation Direction	Clockwise
Vibration level	A
Balancing method	half key
cooling type	IC411
Executed acc. to noise level	IEC 60034-1 IEC 60034-9

Electrical data

Power 1 50Hz (kW)	2,20
Frequency (Hz)	50
Voltage 50Hz (V)	230
Voltage/Frequency tolerance (not valid for range voltage)	range B
Poles	2
Efficiency 100% 50Hz (%)	77,0
Power factor	0,95
Starting current (Ia/In)	4,8
Starting torque (Ma/Mn)	0,3
Breakdown torque (Mk/Mn)	0,3
Current 50Hz (A)	13,08

Motor characteristics

Color	RAL7030
Paint surface	shiny
Protection class	IP55
Cable gland size (cable connection)	1xM25x1,5 1xblind plug
Cable gland type	Standard
Shaft end (mm)	24 x 50
Shaft material	C45
Specification NDE	Plastic fan

Motor characteristics of single-phase motors

Capacitor	operating condensator
O.C. Capacity	60 myF/450 V

Mechanical data

Torque (Nm)	7,50
Rotation speed (1/min)	2800
Bearing DE	6204.ZZ.C3
Bearing NDE	6204.ZZ.C3
Mounting of bearing DE	loose bearing
Mounting of bearing NDE	loose bearing
Bearing lifetime (h)	20000
allow. Radial load (X/2) (N)	625
allow. Radial load (X0) (N)	700
allow. Radial load (Xmax) (N)	550
allow. Axial load B3,B5,B35,B14,B34 (N)	500
allow. Axial load V1,V3,V19,V18 (N)	460
Moment of inertia (kgm ²)	0,00964

Influencing factors

Duty	S1
Ambient temperature (°C)	-20 up to +40
Height of location (m)	1000

Technical changes and errors reserved.

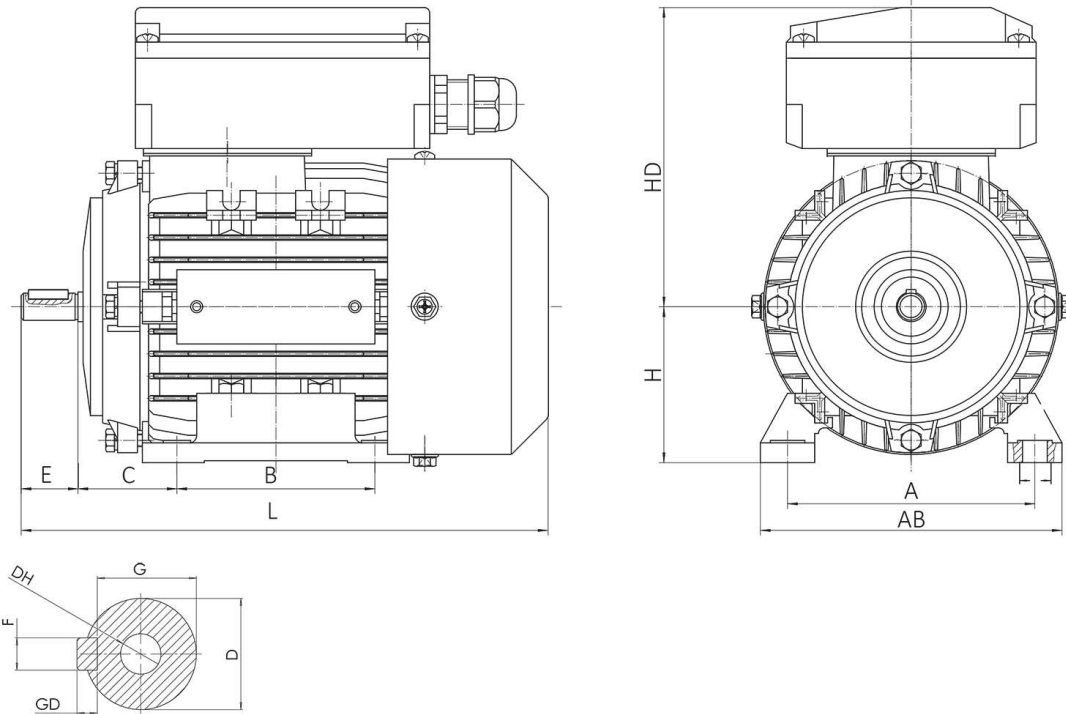
18.02.2021

Drawings

Single-phase motor ABS 90 L 2

AB09L2100022-P : V105543 : : :

Die Zeichnung dient lediglich als Skizze um Maße darzustellen. Das gelieferte Produkt kann von dieser Skizze abweichen. Die detaillierte Beschreibung des Produkts befindet sich im Datenabschnitt (Seite 1).
 The drawing serves only as a sketch to show dimensions. The delivered product may differ from this sketch. The detailed description of the product can be found in the Data section (page 1).



HD	DH	K	G	L	F	H	E	D	C	B	AB	A
155,00	M8x19	10	20,00	360,00	8	90	50	24	56	125	180	140