



Manufacturer

Customer

**VEM motors Thurm GmbH**  
**Äußere Dresdener Str. 35**

**08066 ZWICKAU**  
**Deutschland**

**Three-phase motors with squirrel cage rotor,**  
**Housing grey cast iron**

Type	IE3-W41R 100 LX4		
Design output	( kW )	3	
Design torque	( Nm )	19,7	
Class IE	( - )	IE3-87,7%	
Efficiency determination	EN 60034-2-1		
Duty type		S1	
Design frequency	( Hz )	50	
Design speed	[rpm]	1455	
Voltage	( V )	400/690	
Connection	( - )	D	Y
Current	( A )	6.5	3.8
Relative pull-in current	( - )	9	
Relative starting torque	( - )	3,3	
Relative pull-out torque	( - )	3,9	
Efficiency100/75/50 %	( % )	87,7 / 86,3 / 84,5	
Power factor	( - )	0,77	
Th. cl.		155(F)	
Coolant temperature	( °C )	-20°C...+40°C	
Altitude above sea level	( m )	1000m	
Degree of protection IP		IP55	
Moment of inertia	( kgm <sup>2</sup> )	0,011	
Motor weight	( kg )	45	
Bearing, D-side		6206 2Z C3	
Bearing, N-side		6206 2ZN C3	
Relubrication interval	( h )		
Grease type		Asonic GLY 32	
Grease amount	( g )		
A-sound pressure level	( dB )	a.A.	

**Options**

Type of mounting	IM B3
Flange:	-
Terminal box	Standard
Position of terminal box	on the top
Cable gland	Sealing plug
Position of cable entry	right
Shaft	Standard
Bearing	Easy bearing arrangement
Special details to bearings	none
Bearing monitoring	none
Anti-condensation heating	none
Limit values to vibration velocity	Class A
Colour system	Balancing with half key 01 Moderate (KK C2),RAL 7031 blue-grey,60 µm

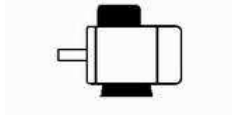
Delivery conditions and/or official regulations: IEC / EN 60034-1  
 Special customer specifications without

This document was produced electronically, all specifications are valid only after confirmation of the manufacturer

Three-phase motors with squirrel cage rotor,  
Housing grey cast iron

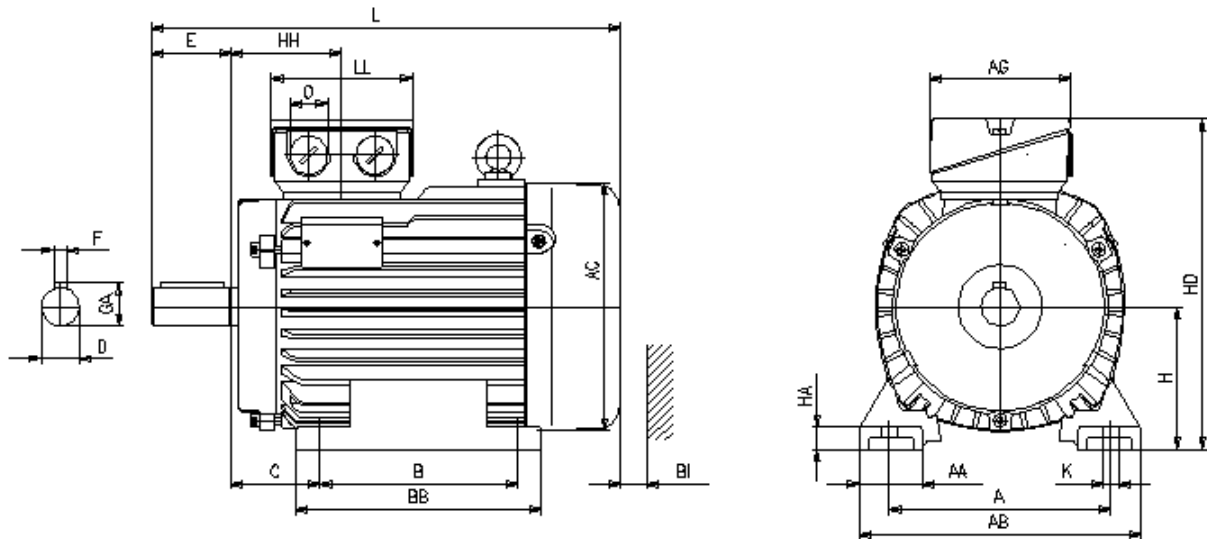
## IE3-W41R 100 LX4

### Mounting position



Type of mounting: IM B3  
Flange: -  
Position of terminal box: on the top  
Brake type:  
Forced-ventilation:

Terminal box: KA 05  
Cable gland O: 1 xSealing plug



### Motor

A	AA	AB	AC	AD	B	B'	BA	BA'	BB	C	CA	K	K'
160	42	193	196	-	140	-	-	-	175	63	-	12	12

### Terminal box

L	LC	H	HA	HD	HH	BI	AG	LL	BE	AH
421	-	100	13	236	77	20	92	92	-	-

### Flange

P	N	LA	M	T	S
-	-	-	-	-	-

### Tolerances

H	N	D	DA
-0,5	j6	k6	k6

### Shaft-DS

D	E	GA	F	DB
28	60	31	8	DIN 332 DS- M10

### Shaft-NS

DA	EA	GC	FA
-	-	-	-

### DB...Centre hole

Delivery conditions and/or official regulations: IEC / EN 60034-1

This document was produced electronically, all specifications are valid only after confirmation of the manufacturer