



Manufacturer

Customer

**VEM motors GmbH - Werk Wernigerode  
Carl-Friedrich-Gauß-Straße 1**

**38855 WERNIGERODE  
Deutschland**

**Three-phase motors with squirrel cage rotor,  
Housing grey cast iron**

Type	IE3-W43R 315 M4 HW		
Design output	( kW )	132	
Design torque	( Nm )	848	
Class IE	[ - ]	IE3-96%	
Efficiency determination		EN 60034-2-1	
Duty type		S1	
Design frequency	( Hz )	50	
Design speed	[rpm]	1485	
Voltage	( V )	400/690	
Connection	[ - ]	D	Y
Current	[ A ]	248.0	143.8
Relative pull-in current	[ - ]	8,3	
Relative starting torque	[ - ]	2	
Relative pull-up torque	[ - ]	1,9	
Relative pull-out torque	[ - ]	2,7	
Efficiency100/75/50 %	[ % ]		96 / 96 / 95,5
Power factor	[ - ]	0,8	
Th. cl.		155(F/B)	
Coolant temperature	( °C )	-20°C...+40°C	
Altitude above sea level	( m )	1000m	
Degree of protection IP		IP55	
Moment of inertia	( kgm <sup>2</sup> )	1,96	
Motor weight	( kg )	790	
Bearing, D-side		6317 C3	
Bearing, N-side		6316 C3	
Relubrication interval	( h )		
Grease type		ASONIC GHY 72	
Grease amount	[cm <sup>3</sup> ]		
A-sound pressure level	( dB )	68	

**Options**

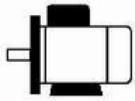
Type of mounting	IM B35
Flange	FF 600[A 660]
Terminal box	Standard
Position of terminal box	on the top
Cable gland	Sealing plug
Position of cable entry	right
Shaft	Standard, 1 shaft end
Bearing	Easy bearing arrangement
Special details to bearings	Fixed bearing, N-side
Limit values to vibration velocity	Class A
Colour system	Balancing with half key
Delivery conditions and/or official regulations:	01 Moderate (KK C2),RAL 7031 blue-grey IEC / EN 60034-1

This document was produced electronically, all specifications are valid only after confirmation of the manufacturer

Three-phase motors with squirrel cage rotor,  
Housing grey cast iron

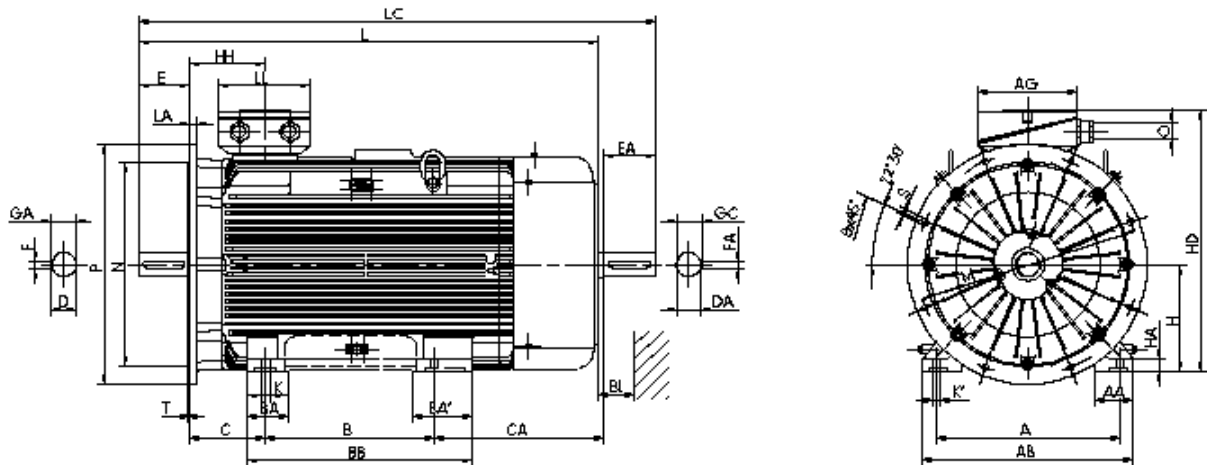
## IE3-W43R 315 M4 HW

### Mounting position



Type of mounting: IM B35  
Flange: FF 600[A 660]  
Position of terminal box: on the top  
Brake type:  
Forced-ventilation:

Terminal box: KK 200 A  
Cable gland O: 1 xSealing plug



### Motor

A	AA	AB	AC	AD	B	B'	BA	BA'	BB	C	CA	K	K'
508	126	590	550	-	457	-	-	150	554	216	-	28	35
Protection cover												Terminal box	
L	LC	H	HA	HD	HH	BI	L	AG	LL	BE	AH	-	-
1135	-	315	44	731	211	100	-	282	242	-	-	-	-

### Flange

P	N	LA	M	T	S	Tolerances							
660	550	22	600	6	22	H	N	D	DA				
						-1	h6	m6	m6				

### Shaft-DS

D	E	GA	F	DB
80	170	85	22	DIN 332 DS- M20

### Shaft-NS

DA	EA	GC	FA
-	-	-	-

### DB...Centre hole

Delivery conditions and/or official regulations: IEC / EN 60034-1

This document was produced electronically, all specifications are valid only after confirmation of the manufacturer