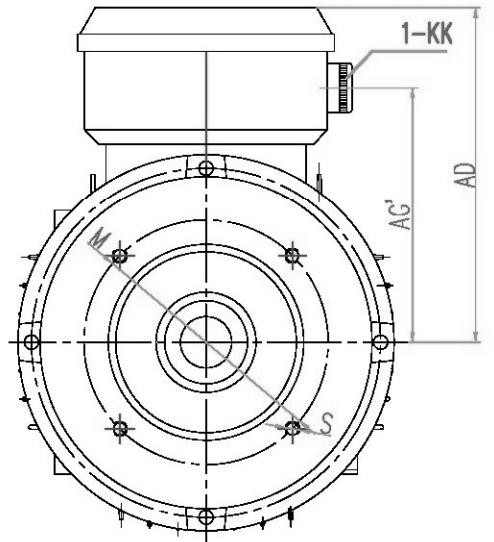
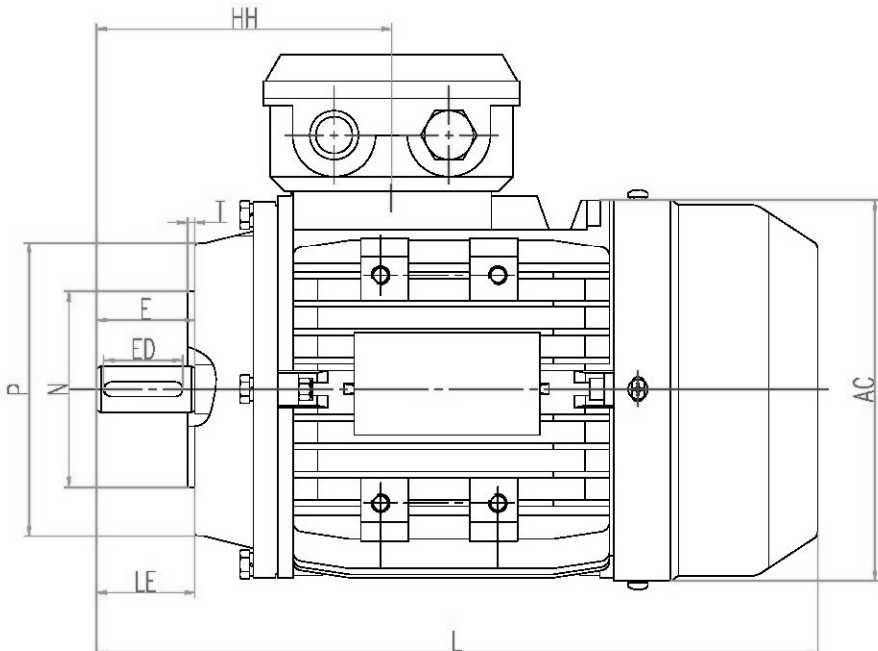


FRAME	KW
MS80 1-2	0.75
MS80 2-2	1.1
MS80 3-2	1.5
MS80 1-4	0.55
MS80 2-4	0.75
MS80 3-4	1.1
MS80 1-6	0.37
MS80 2-6	0.55
MS80 3-6	0.75
MS80 1-8	0.18
MS80 2-8	0.25
MS80 3-8	0.37
EMS80 1-2	0.75
EMS80 2-2	1.1
EMS80 3-2	1.5
EMS80 1-4	0.55
EMS80 2-4	0.75
EMS80 3-4	1.1



CLIENT:	FRAME	80	VOLTS
	KW		RPM

OUTLINE DIMENSIONS FLANGE MOUNTED MOTORS

SHAFT EXT.DE ONLY

AC	AD	AC'	KK	L	HH	LE	M	N	P	S	T				D	DB	E	ED	F	G						
φ165	137	103	M20x1.5	295	120.5	40	100	80	120	4-M6	2.5				φ19	M6x16	40	32	6	15.5						

CUSTOMER APPROVAL _____
SIGNATURE DATE

80 B14A		DATE	CHECKED BY
DIMENSION OUTLINE		DESIGNED BY	APPROVED BY
ISSUE	DATE	CERTIFIED BY	
ISSUE	DATE	CERTIFIED BY	
ISSUE	DATE	CERTIFIED BY	
ISSUE	DATE	CERTIFIED BY	

ELECTRAMO