



Manufacturer

Customer

VEM motors GmbH - Werk Wernigerode
Carl-Friedrich-Gauß-Straße 1

38855 WERNIGERODE
Deutschland

Three-phase motors with squirrel cage rotor,
Housing grey cast iron

Type	IE3-W43R 200 L4	KR	TPM	NS	VL	HW
Design output	(kW)	30				
Design torque	(Nm)	194				
Class IE	[-]	IE3-93,6%				
Efficiency determination		EN 60034-2-1				
Duty type		S1				
Design frequency	(Hz)	50				
Design speed	[rpm]	1480				
Voltage	(V)	400/690				
Connection	[-]	D			Y	
Current	[A]	54.0			31.3	
Relative pull-in current	[-]	6,4				
Relative starting torque	[-]	1,8				
Relative pull-up torque	[-]	1,6				
Relative pull-out torque	[-]	2,5				
Efficiency100/75/50 %	[%]		93,6	/ 94	/ 93,7	
Power factor	[-]	0,86				
Th. cl.		155(F/B)				
Coolant temperature	(°C)	-20°C...+40°C				
Altitude above sea level	(m)	1000m				
Degree of protection IP		IP55				
Moment of inertia	(kgm ²)	0,313				
Motor weight	(kg)	304				
Bearing, D-side		NU 312 E				
Bearing, N-side		6312 C3				
Relubrication interval	(h)	2000				
Grease type		ASONIC GHY 72				
Grease amount	[cm ³]	31/31				
A-sound pressure level	(dB)	65				

Options

Type of mounting	IM B3
Flange	-
Terminal box	Standard
Position of terminal box	on the right-hand side
Cable gland	Sealing plug
Position of cable entry	right
Shaft	Standard, 1 shaft end
Bearing	Relubrication device, heavy bearing arrangement
Special details to bearings	Fixed bearing, N-side Conical grease nipple (for both sides)
Winding protection	1 set ptc resistors
Limit values to vibration velocity	Class A
Colour system	Balancing with half key
Delivery conditions and/or official regulations:	01 Moderate (KK C2),RAL 7035 light grey IEC / EN 60034-1

This document was produced electronically, all specifications are valid only after confirmation of the manufacturer

Data sheet

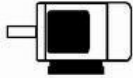
30.11.2021 MADE WITH VEM EKAT 2021



Three-phase motors with squirrel cage rotor,
Housing grey cast iron

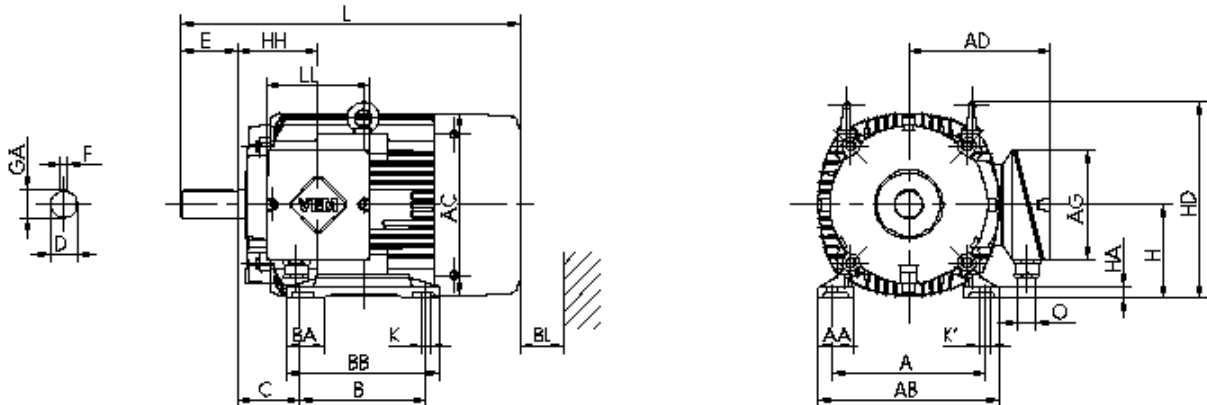
IE3-W43R 200 L4 KR TPM NS VL HW

Mounting position



Type of mounting: IM B3
Flange: -
Position of terminal box: on the right-hand side
Brake type:
Forced-ventilation:

Terminal box: KK 100 A
Cable gland O: 1 xSealing plug



Motor

A	AA	AB	AC	AD	B	B'	BA	BA'	BB	C	CA	K	K'
318	70	372	390	300	305		70	-	360	133	-	19	25
L	LC	H	HA	HD	HH	BI	Protection cover			AG	LL	Terminal box	
767	-	200	22	417	168	40	L	-		213	207	BE	AH
												-	-

Flange

P	N	LA	M	T	S	Tolerances			
-	-	-	-	-	-	H	N	D	DA
						-0,5	h6	m6	m6

Shaft-DS

D	E	GA	F	DB
55	110	59	16	DIN 332 DS-M20

Shaft-NS

DA	EA	GC	FA
-	-	-	-

DB...Centre hole

Delivery conditions and/or official regulations: IEC / EN 60034-1

This document was produced electronically, all specifications are valid only after confirmation of the manufacturer