



Manufacturer

Customer

**VEM motors GmbH - Werk Wernigerode**  
**Carl-Friedrich-Gauß-Straße 1**

**38855 WERNIGERODE**  
**Deutschland**

**Three-phase motors with squirrel cage rotor,**  
**Housing grey cast iron**

Type	IE3-W43R 280 S4	KR TPM NS VL HW	
Design output	( kW )	75	
Design torque	( Nm )	483	
Class IE	[ - ]	IE3-95%	
Efficiency determination		EN 60034-2-1	
Duty type		S1	
Design frequency	( Hz )	50	
Design speed	[rpm]	1482	
Voltage	( V )	400/690	
Connection	[ - ]	D	Y
Current	[ A ]	139.0	80.6
Relative pull-in current	[ - ]	7,6	
Relative starting torque	[ - ]	2,1	
Relative pull-up torque	[ - ]	1,9	
Relative pull-out torque	[ - ]	2,5	
Efficiency100/75/50 %	[ % ]		95 / 95,3 / 95
Power factor	[ - ]	0,82	
Th. cl.		155(F/B)	
Coolant temperature	( °C )	-20°C...+40°C	
Altitude above sea level	( m )	1000m	
Degree of protection IP		IP55	
Moment of inertia	( kgm <sup>2</sup> )	0,95	
Motor weight	( kg )	545	
Bearing, D-side		NU 316 E	
Bearing, N-side		6314 C3	
Relubrication interval	( h )	4000	
Grease type		ASONIC GHY 72	
Grease amount	[cm <sup>3</sup> ]	52/41	
A-sound pressure level	( dB )	70	

**Options**

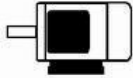
Type of mounting	IM B3
Flange	-
Terminal box	Standard
Position of terminal box	on the right-hand side
Cable gland	Sealing plug
Position of cable entry	right
Shaft	Standard, 1 shaft end
Bearing	Relubrication device, heavy bearing arrangement
Special details to bearings	Fixed bearing, N-side
Winding protection	1 set ptc resistors
Limit values to vibration velocity	Class A
Colour system	Balancing with half key
Delivery conditions and/or official regulations:	01 Moderate (KK C2), Special colour: IEC / EN 60034-1

This document was produced electronically, all specifications are valid only after confirmation of the manufacturer

Three-phase motors with squirrel cage rotor,  
Housing grey cast iron

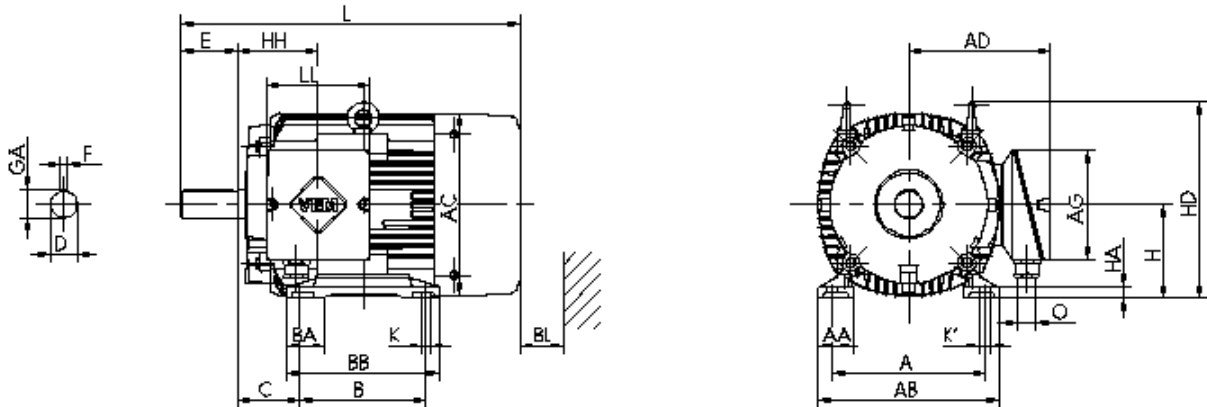
## IE3-W43R 280 S4 KR TPM NS VL HW

### Mounting position



Type of mounting: IM B3  
Flange: -  
Position of terminal box: on the right-hand side  
Brake type:  
Forced-ventilation:

Terminal box: KK 200 A  
Cable gland O: 1 xSealing plug



Motor													
A	AA	AB	AC	AD	B	B'	BA	BA'	BB	C	CA	K	K'
457	94	522	490	386	368		96	-	431	190	-	24	30
Protection cover												Terminal box	
L	LC	H	HA	HD	HH	BI	L	AG	LL	BE	AH		
924	-	280	32	537	206	100	-	282	242	-	-		
Flange						Tolerances							
P	N	LA	M	T	S					H	N	D	DA
-	-	-	-	-	-					-1	h6	m6	m6
Shaft-DS					Shaft-NS								
D	E	GA	F	DB	DA	EA	GC	FA					
75	140	79,5	20	DIN 332 DS- M20	-	-	-	-					

### DB...Centre hole

Delivery conditions and/or official regulations: IEC / EN 60034-1

This document was produced electronically, all specifications are valid only after confirmation of the manufacturer