



Manufacturer

Customer

VEM motors GmbH - Werk Wernigerode
Carl-Friedrich-Gauß-Straße 1

38855 WERNIGERODE
Deutschland

Three-phase motors with squirrel cage rotor,
Housing grey cast iron

Type	IE3-W43R 200 L4	TPM VL HW
Design output	(kW)	30
Design torque	(Nm)	194
Class IE	[-]	IE3-93,6%
Efficiency determination		EN 60034-2-1
Duty type		S1
Design frequency	(Hz)	50
Design speed	[rpm]	1480
Voltage	(V)	500
Connection	[-]	D
Current	[A]	43.2
Relative pull-in current	[-]	6,4
Relative starting torque	[-]	1,8
Relative pull-up torque	[-]	1,6
Relative pull-out torque	[-]	2,5
Efficiency100/75/50 %	[%]	93,6 / 94 / 93,7
Power factor	[-]	0,86
Th. cl.		155(F/B)
Coolant temperature	(°C)	-20°C...+40°C
Altitude above sea level	(m)	1000m
Degree of protection IP		IP55
Moment of inertia	(kgm ²)	0,313
Motor weight	(kg)	304
Bearing, D-side		NU 312 E
Bearing, N-side		6312 C3
Relubrication interval	(h)	
Grease type		ASONIC GHY 72
Grease amount	[cm ³]	
A-sound pressure level	(dB)	65

Options

Type of mounting	IM V1 Protection cover
Flange	FF 350[A 400]
Terminal box	Standard
Position of terminal box	on the top
Cable gland	Sealing plug
Position of cable entry	right
Shaft	Standard, 1 shaft end
Bearing	Heavy bearing arrangement D-side
Special details to bearings	Fixed bearing, N-side
Winding protection	1 set ptc resistors
Limit values to vibration velocity	Class A
Colour system	Balancing with half key
Delivery conditions and/or official regulations:	01 Moderate (KK C2),RAL 7031 blue-grey IEC / EN 60034-1

This document was produced electronically, all specifications are valid only after confirmation of the manufacturer

Three-phase motors with squirrel cage rotor,
Housing grey cast iron

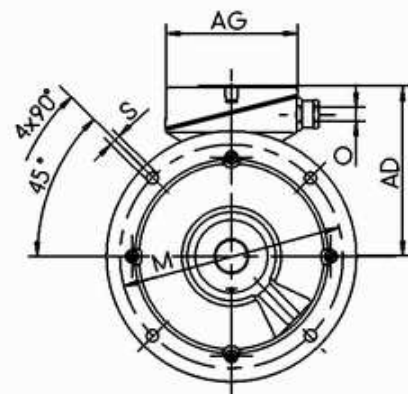
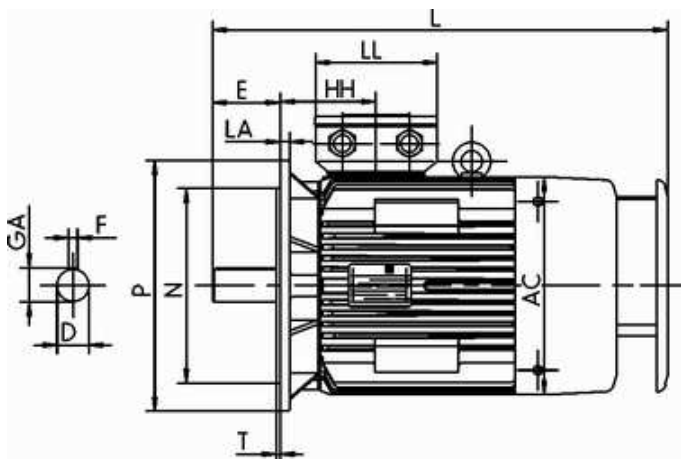
IE3-W43R 200 L4 TPM VL HW

Mounting position



Type of mounting: IM V1 Protection cover
Flange: FF 350[A 400]
Position of terminal box: on the top
Brake type:
Forced-ventilation:

Terminal box: KK 100 A
Cable gland O: 1 xSealing plug



Motor

A	AA	AB	AC	AD	B	B'	BA	BA'	BB	C	CA	K	K'	
-	-	-	390	300	-	-	-	-	-	-	-	-	-	
											Protection cover		Terminal box	
L	LC	H	HA	HD	HH	BI	L	AG	LL	BE	AH	-	-	
-	-	200	-	-	168	40	807	213	207	-	-	-	-	

Flange

P	N	LA	M	T	S	Tolerances		H	N	D	DA
400	300	15	350	5	18			-0,5	h6	m6	m6

Shaft-DS

D	E	GA	F	DB	Shaft-NS			
55	110	59	16	DIN 332 DS-M20	DA	EA	GC	FA
-	-	-	-	-	-	-	-	-

DB...Centre hole

Delivery conditions and/or official regulations: IEC / EN 60034-1

This document was produced electronically, all specifications are valid only after confirmation of the manufacturer