



Manufacturer

Customer

**VEM motors GmbH - Werk Wernigerode**  
**Carl-Friedrich-Gauß-Straße 1**

**38855 WERNIGERODE**  
**Deutschland**

**Three-phase motors with squirrel cage rotor,**  
**Housing grey cast iron**

Type	IE3-W42R 112 M4	HW	
Design output	( kW )	4	
Design torque	( Nm )	26	
Class IE	[ - ]	IE3-88,6%	
Efficiency determination		EN 60034-2-1	
Duty type		S1	
Design frequency	( Hz )	50	
Design speed	[rpm]	1460	
Voltage	( V )	230/400	
Connection	[ - ]	D	Y
Current	[ A ]	13.7	7.9
Relative pull-in current	[ - ]	7,9	
Relative starting torque	[ - ]	2,5	
Relative pull-up torque	[ - ]	1,9	
Relative pull-out torque	[ - ]	3,8	
Efficiency100/75/50 %	[ % ]		88,6 / 89,1 / 87,9
Power factor	[ - ]	0,83	
Th. cl.		155(F/B)	
Coolant temperature	( °C )	-20°C...+40°C	
Altitude above sea level	( m )	1000m	
Degree of protection IP		IP55	
Moment of inertia	( kgm <sup>2</sup> )	0,015	
Motor weight	( kg )	55	
Bearing, D-side		6207 ZZ C3	
Bearing, N-side		6207 ZZ C3	
Relubrication interval	( h )		
Grease type		ASONIC GHY 72	
Grease amount	[cm <sup>3</sup> ]		

**Options**

Type of mounting	IM V1 Protection cover
Flange	FF 215[A 250]
Terminal box	Standard
Position of terminal box	on the top
Cable gland	Sealing plug
Position of cable entry	right
Shaft	Standard, 1 shaft end
Bearing	Easy bearing arrangement
Special details to bearings	Fixed bearing, N-side
Limit values to vibration velocity	Class A
	Balancing with half key
Colour system	01 Moderate (KK C2),RAL 7031 blue-grey
Delivery conditions and/or official regulations:	IEC / EN 60034-1

This document was produced electronically, all specifications are valid only after confirmation of the manufacturer

Three-phase motors with squirrel cage rotor,  
Housing grey cast iron

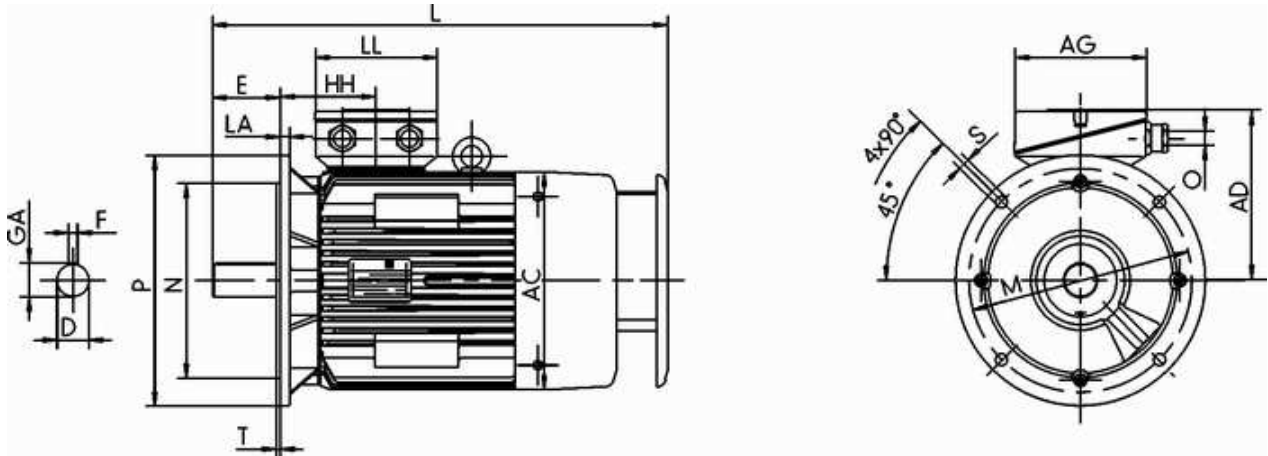
## IE3-W42R 112 M4 HW

### Mounting position



Type of mounting: IM V1 Protection cover  
Flange: FF 215[A 250]  
Position of terminal box: on the top  
Brake type:  
Forced-ventilation:

Terminal box: KK 25 A  
Cable gland O: 1 xSealing plug



### Motor

A	AA	AB	AC	AD	B	B'	BA	BA'	BB	C	CA	K	K'	
-	-	-	217	182	-	-	-	-	-	-	-	-	-	
											<b>Protection cover</b>		<b>Terminal box</b>	
L	LC	H	HA	HD	HH	BI	L	AG	LL	BE	AH	-	-	
-	-	112	-	-	108	40	499	156	145	-	-	-	-	

### Flange

P	N	LA	M	T	S	<b>Tolerances</b>	
250	180	13	215	4	14	H	N
						-0,5	j6
						D	DA
						k6	k6

### Shaft-DS

D	E	GA	F	DB	<b>Shaft-NS</b>			
28	60	31	8	DIN 332 DS- M10	DA	EA	GC	FA
					-	-	-	-

### DB...Centre hole

Delivery conditions and/or official regulations: IEC / EN 60034-1

This document was produced electronically, all specifications are valid only after confirmation of the manufacturer