

DIMENSIONS

AC 399

AE 116.5

TBH 233

TBW 186

LD 395

KK 2-M40

L 768

E $110^{0}_{-0.043}$

ED 90

F 16 ± 0.43

DH C20 x 42

G $49^{0}_{-0.20}$

D $55^{+0.030}_{+0.011}$

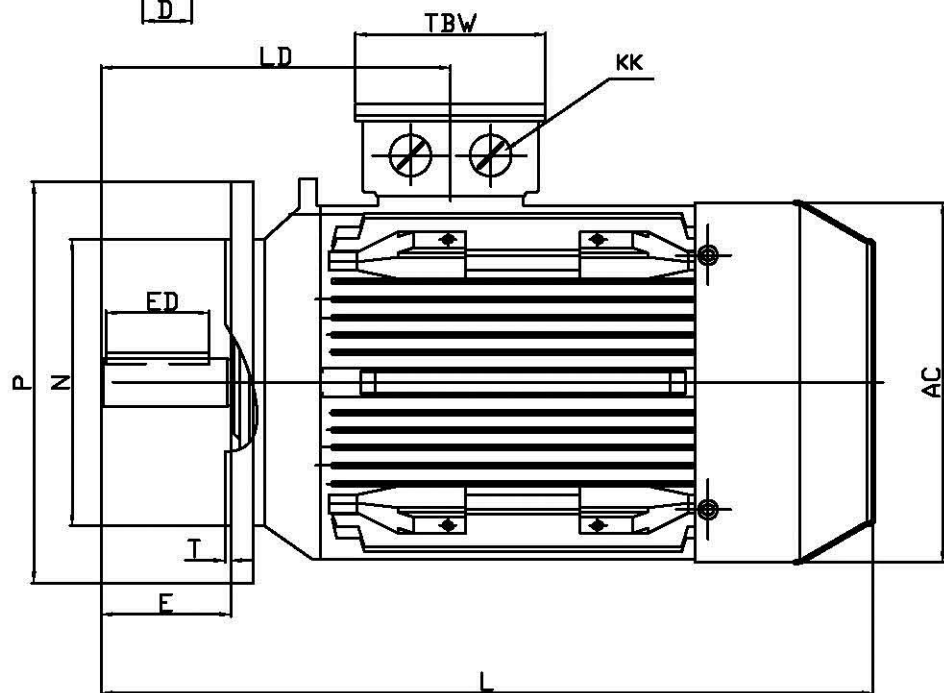
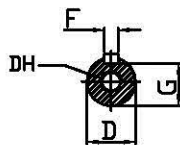
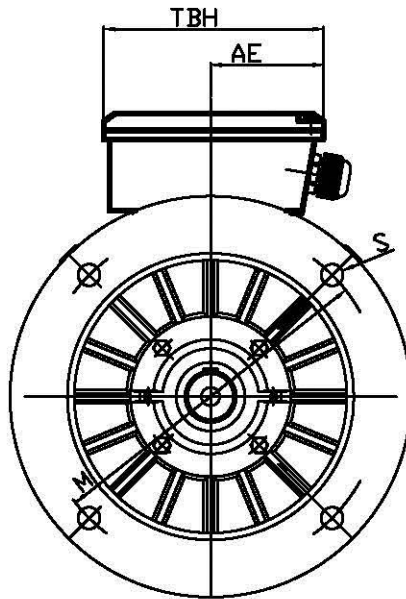
M 350

S 4-19

T 5

N 300

P 400



DIMENSION OUTLINE	DRAWN		
200L B5	DATE		
	CHK		
	APPD		
		REV	

