



Manufacturer

Customer

VEM motors GmbH - Werk Zwickau
Äußere Dresdner Str. 35

08066 ZWICKAU
Deutschland

Three-phase motors with squirrel cage rotor, standard motors, pole-changing, two speeds constant loading torque

Type	K21R 100 LX 4-2	
Number of poles	[-]	4
Design output	(kW)	2,6
Duty type		S1
Efficiency determination	[-]	EN 60034-2
Design frequency	(Hz)	50
Design speed	[rpm]	1440
Design voltage	(V)	400
Connection	[-]	D/YY
Design current	[A]	5.85
Relative pull-in current	[-]	6,1
Relative starting torque	[-]	1,7
Relative pull-up torque	[-]	1,7
Relative pull-out torque	[-]	2,5
Power factor	[-]	0,8
Efficiency	[%]	80
Th. cl.		155(F)
Coolant temperature	(°C)	-20°C...+40°C
Altitude above sea level	(m)	1000m
Degree of protection IP		IP55
Moment of inertia	(kgm ²)	0,00725
Motor weight	(kg)	30
Bearing, D-side		6206 2Z C3
Bearing, N-side		6206 2Z C3
Relubrication interval	(h)	
Grease type		Asonic GLY 32
Grease amount	(g)	

Options

Type of mounting	IM B14
Flange	FT 130[C 160]
Terminal box	Standard
Position of terminal box	on the top
Cable gland	Sealing plug
Position of cable entry	right
Shaft	Standard, 1 shaftend
Bearing	Easy bearing arrangement
Limit values to vibration velocity	Class A
Colour system	Balancing with half key
Delivery conditions and/or official regulations:	01 Moderate (KK C2),RAL 7031 blue-grey
	IEC / EN 60034-1

This document was produced electronically, all specifications are valid only after confirmation of the manufacturer

Three-phase motors with squirrel cage rotor, standard motors, pole-changing, two speeds constant loading torque

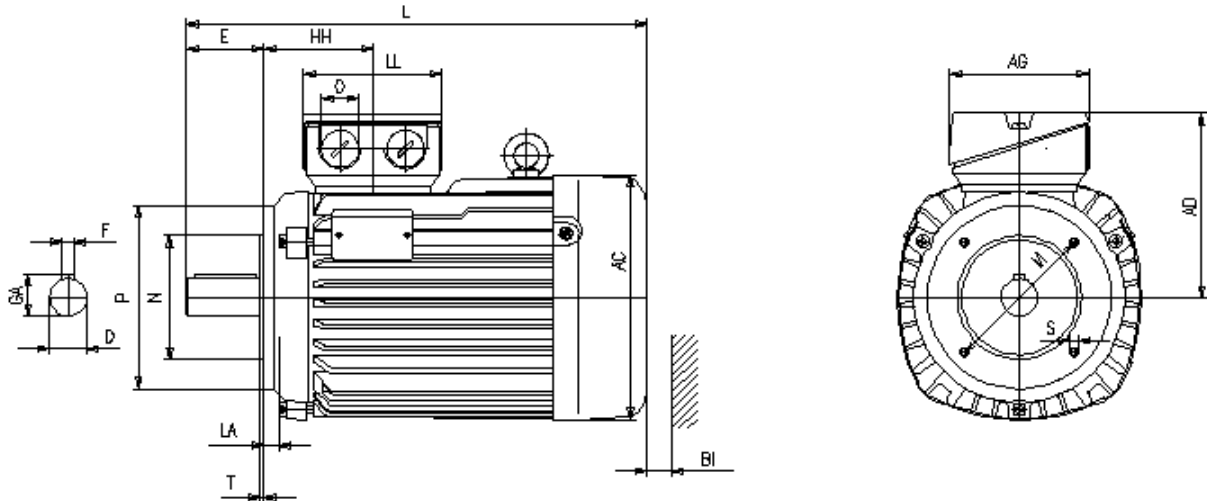
K21R 100 LX 4-2

Mounting position



Type of mounting: IM B14
 Flange: FT 130[C 160]
 Position of terminal box: on the top
 Brake type:
 Forced-ventilation:

Terminal box: KA 05
 Cable gland O: 2 xSealing plug



Motor

A	AA	AB	AC	AD	B	B'	BA	BA'	BB	C	CA	K	K'
-	-	-	196	137	-	-	-	-	-	-	-	-	-
L	LC	H	HA	HD	HH	BI	Protection cover				Terminal box		
357	-	100	-	-	77	20	L	AG	LL	BE	AH	-	-
								92	92	-	-	-	-

Flange

P	N	LA	M	T	S	Tolerances			
160	110	10	130	3,5	M8	H	N	D	DA
						-0,5	j6	k6	k6

Shaft-DS

D	E	GA	F	DB
28	60	31	8	DIN 332-DS M10

Shaft-NS

DA	EA	GC	FA
-	-	-	-

DB...Centre hole

Delivery conditions and/or official regulations: IEC / EN 60034-1

This document was produced electronically, all specifications are valid only after confirmation of the manufacturer