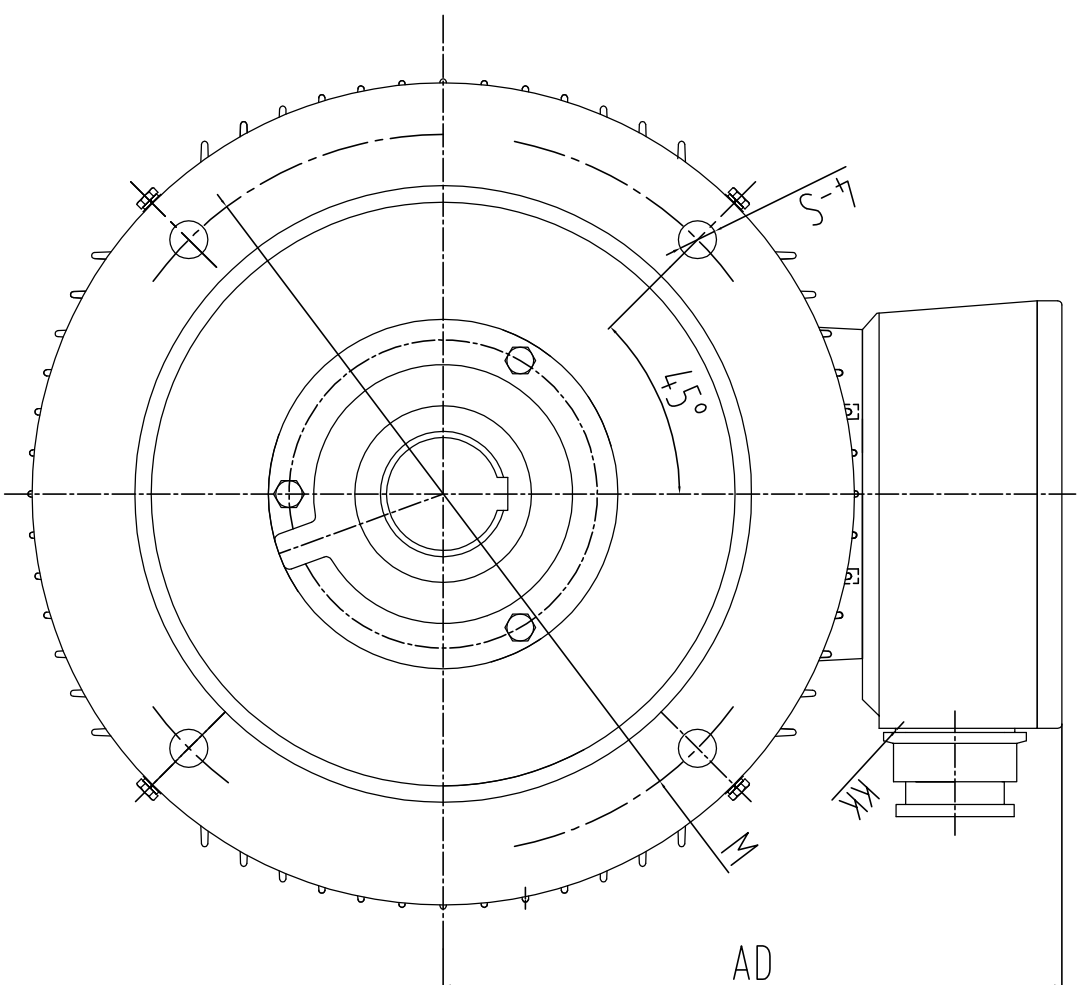
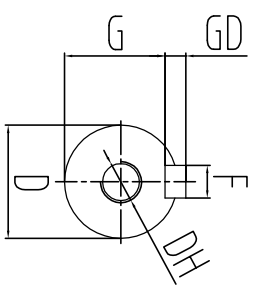
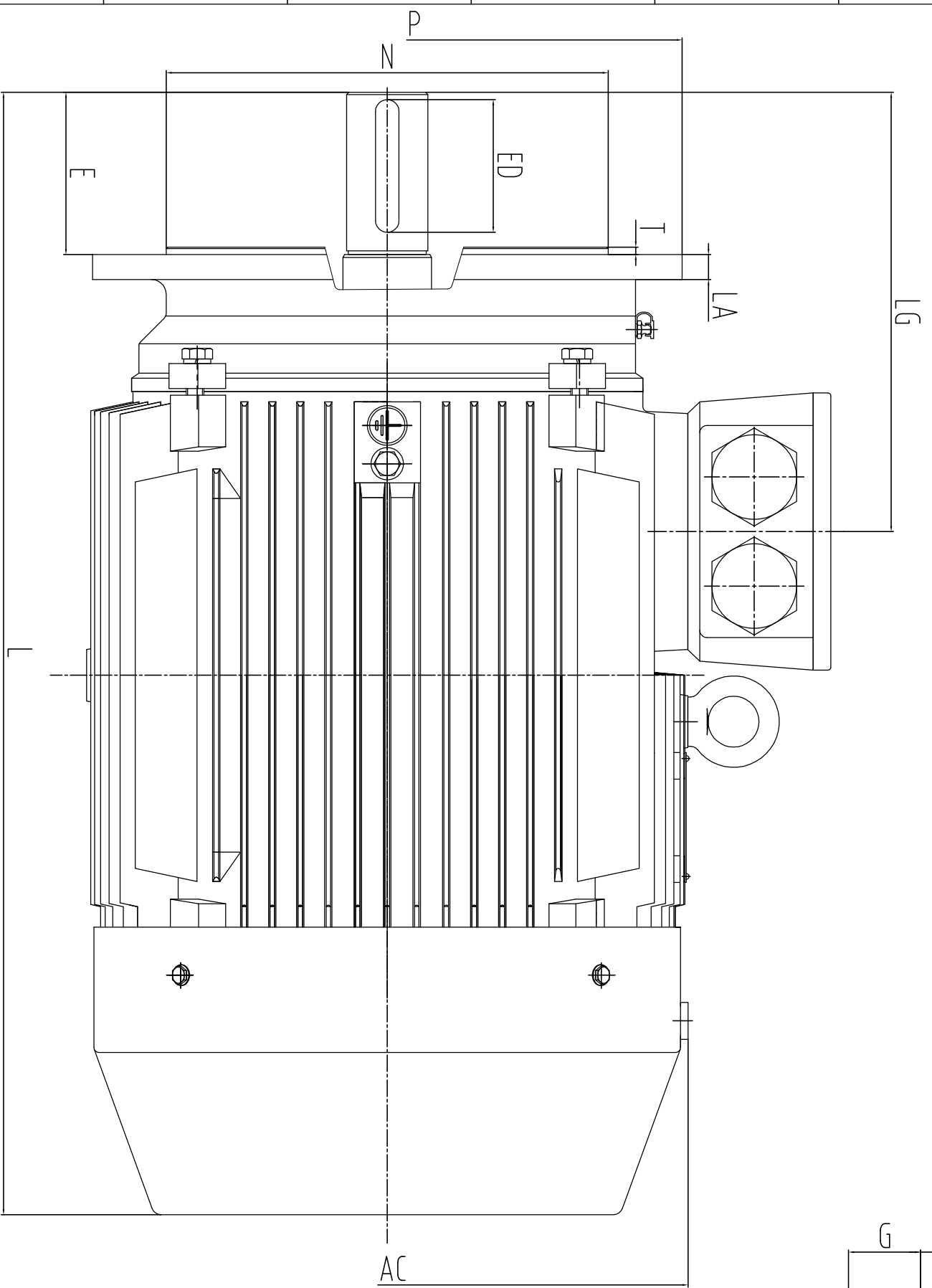


OUTLINE DIMENSIONS FOOT MOUNTED MOTORS																				
A	AA	AB	AC	HD	B	BB	C	D	E	ED	F	G	GD	H	HA	K	KK	L	LG	DH
318	80	390	420	510	305	355	133	55	110	90	16	49	10	200	25	18.5	M50X1.5	790	298	M20X42

CUSTOMER APPROVAL _____
 SIGNATURE _____ DATE _____

YE3-200(B3) DIMENSION OUTLINE	DATE		CHK	
	DRAWN			
	ISSUE A	DATE	CERTIFIED BY	
	ISSUE B	DATE	CERTIFIED BY	
	ISSUE C	DATE	CERTIFIED BY	
	ISSUE D	DATE	CERTIFIED BY	



OUTLINE DIMENSION

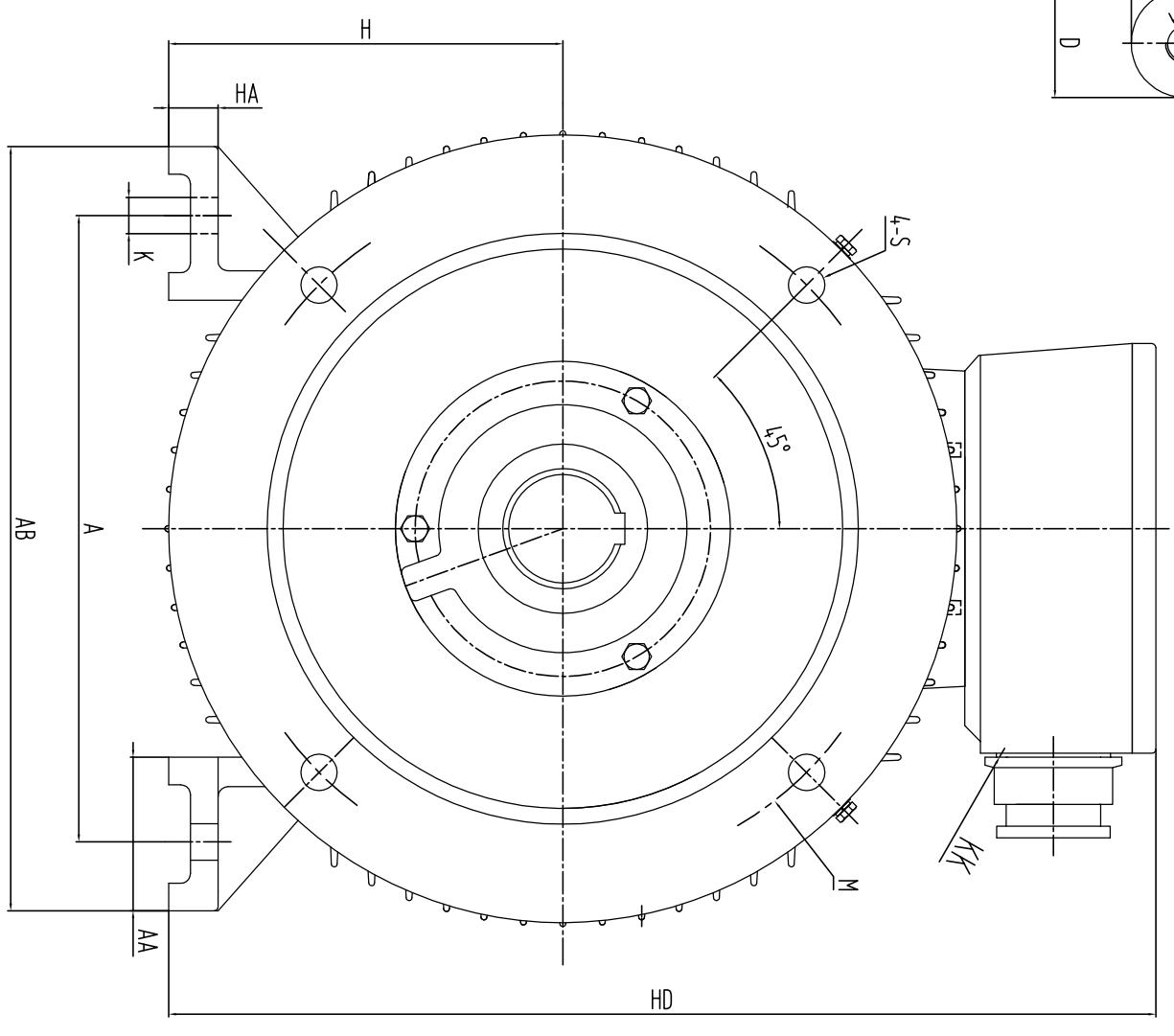
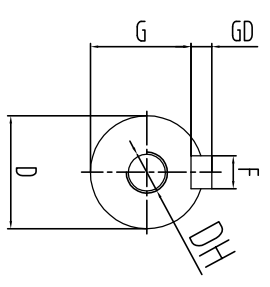
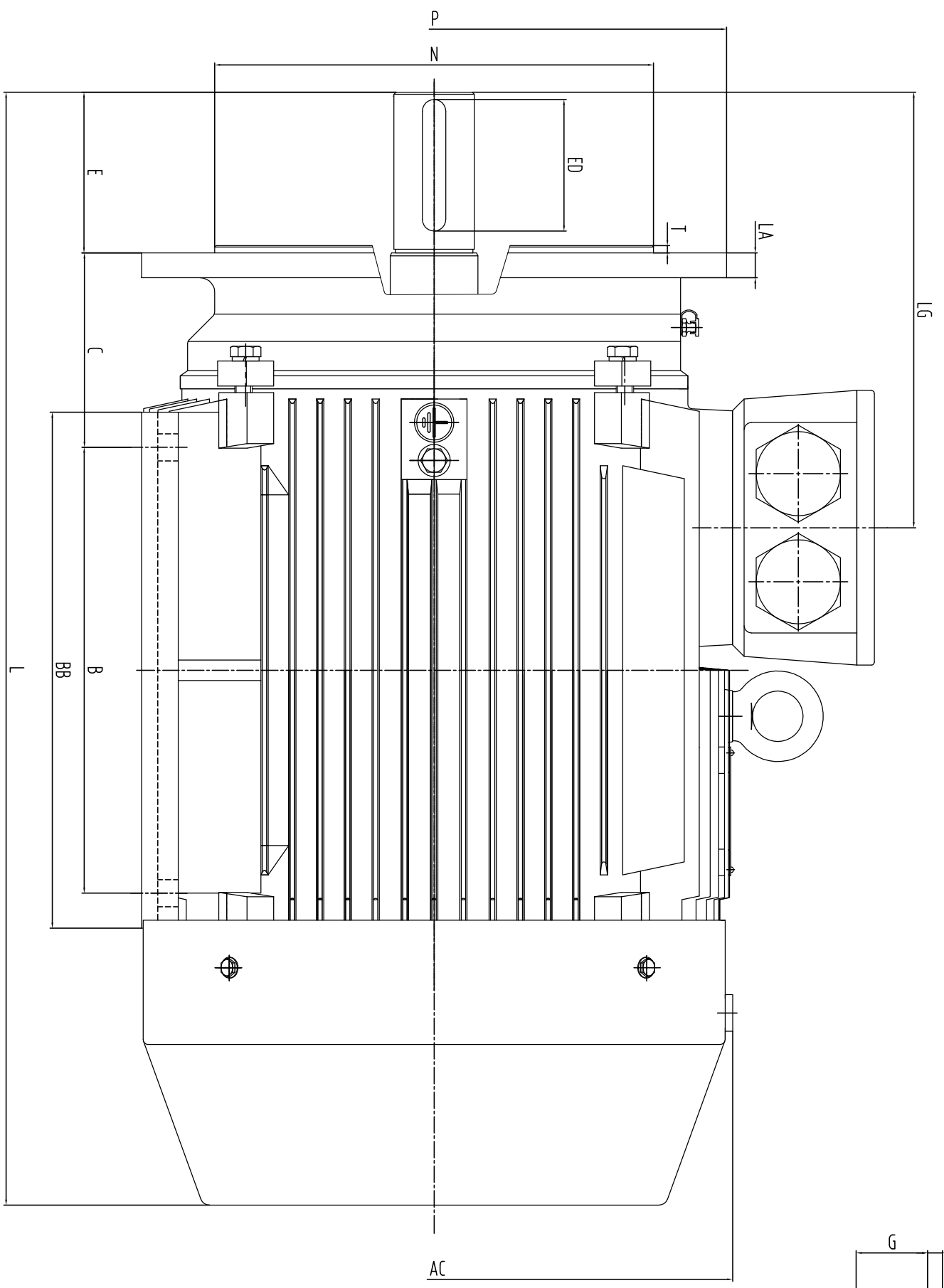
AC	AD	D	E	ED	F	G	GD	KK	L	LG	LA	M	N	P	S	T	DH
420	310	55	110	90	16	49	10	M50X1.5	790	298	17	350	300	400	18.5	5	M20X42

CUSTOMER _____

SIGNATURE _____

DATE _____

YE3-200L		DATE	CHK
DIMENSION OUTLINE		DRAWN	APPD
ISSUE A	DATE	CERTIFIED BY	
ISSUE B	DATE	CERTIFIED BY	
ISSUE C	DATE	CERTIFIED BY	
ISSUE D	DATE	CERTIFIED BY	



OUTLINE DIMENSION

A	AA	AB	AC	HD	B	BB	C	D	E	ED	F	G	GD	H	HA	K	KK	L	LG	LA	M	N	P	S	T	DH
318	80	390	420	510	305	355	133	55	110	90	16	49	10	200	25	18.5	M50X15	790	298	17	350	300	400	18.5	5	M20X42

CUSTOMER _____

SIGNATURE _____

DATE _____

修改
审核
工艺
设计
校对
工艺
标准
批准

YE3-200L(B35)		DATE	CHK
DIMENSION OUTLINE		DRAWN	APPD
ISSUE A	DATE	CERTIFIED BY	
ISSUE B	DATE	CERTIFIED BY	
ISSUE C	DATE	CERTIFIED BY	
ISSUE D	DATE	CERTIFIED BY	
SUNVIM Motor			