

Dimensional sheet



28.09.2022 MADE WITH VEM EKAT 2022

Manufacturer

Customer

VEM motors GmbH - Werk Wernigerode
Carl-Friedrich-Gauß-Straße 1

38855 WERNIGERODE
Deutschland

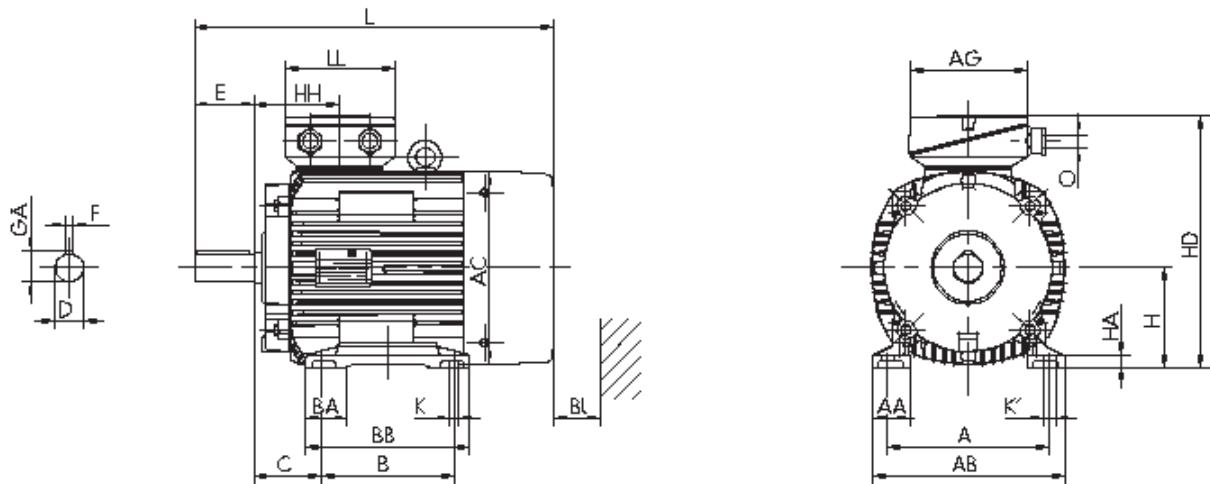
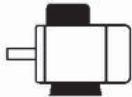
Three-phase motors with squirrel cage rotor,
 Housing grey cast iron

IE3-W41R 160 L6 TPM HW

Mounting position

Type of mounting: IM B3
 Flange: -
 Position of terminal box: on the top
 Brake type:
 Forced-ventilation:

Terminal box: KK 63 A
 Cable gland O: 1 xSealing plug



Motor

A	AA	AB	AC	AD	B	B'	BA	BA'	BB	C	CA	K	K'
254	55	296	313	-	254		60	-	301	108	-	15	20
L	LC	H	HA	HD	HH	BI	Protection cover				Terminal box		
659	-	160	18	402	138	40	L	AG	LL	BE	AH	-	-
							-	193	167	-	-		

Flange

P	N	LA	M	T	S
-	-	-	-	-	-

Tolerances

H	N	D	DA
-0,5	h6	k6	k6

Shaft-DS

D	E	GA	F	DB
42	110	45	12	DIN 332 DS- M16

Shaft-NS

DA	EA	GC	FA
-	-	-	-

DB...Centre hole

Delivery conditions and/or official regulations: IEC / EN 60034-1

This document was produced electronically, all specifications are valid only after confirmation of the manufacturer