



Manufacturer

Customer

**VEM motors GmbH - Werk Zwickau**  
**Äußere Dresdner Str. 35**

**08066 ZWICKAU**  
**Deutschland**

**Three-phase motors with squirrel cage rotor,**  
**Housing grey cast iron**

Type	IE3-W41R 100 L4		
Design output	( kW )	2,2	
Design torque	( Nm )	14,5	
Class IE	[ - ]	IE3-86,7%	
Efficiency determination		EN 60034-2-1	
Duty type		S1	
Design frequency	( Hz )	50	
Design speed	[rpm]	1450	
Voltage	( V )	230/400	
Connection	[ - ]	D	Y
Current	[ A ]	7.91	4.55
Relative pull-in current	[ - ]	8,2	
Relative starting torque	[ - ]	2,9	
Relative pull-up torque	[ - ]	2,7	
Relative pull-out torque	[ - ]	3,8	
Efficiency100/75/50 %	[ % ]		86,7 / 87 / 85,1
Power factor	[ - ]	0,81	
Th. cl.		155(F)	
Coolant temperature	( °C )	-20°C...+40°C	
Altitude above sea level	( m )	1000m	
Degree of protection IP		IP55	
Moment of inertia	( kgm <sup>2</sup> )	0,011	
Motor weight	( kg )	45	
Bearing, D-side		6206 2Z C3	
Bearing, N-side		6206 2ZN C3	
Relubrication interval	( h )		
Grease type		Asonic GLY 32	
Grease amount	[cm <sup>3</sup> ]		

**Options**

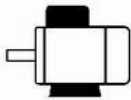
Type of mounting	IM B3
Flange	-
Terminal box	Standard
Position of terminal box	on the top
Cable gland	Sealing plug
Position of cable entry	right
Shaft	Standard, 1 shaft end
Bearing	Easy bearing arrangement
Limit values to vibration velocity	Class A
Colour system	Balancing with half key
Delivery conditions and/or official regulations:	01 Moderate (KK C2),RAL 7031 blue-grey IEC / EN 60034-1

This document was produced electronically, all specifications are valid only after confirmation of the manufacturer

Three-phase motors with squirrel cage rotor,  
Housing grey cast iron

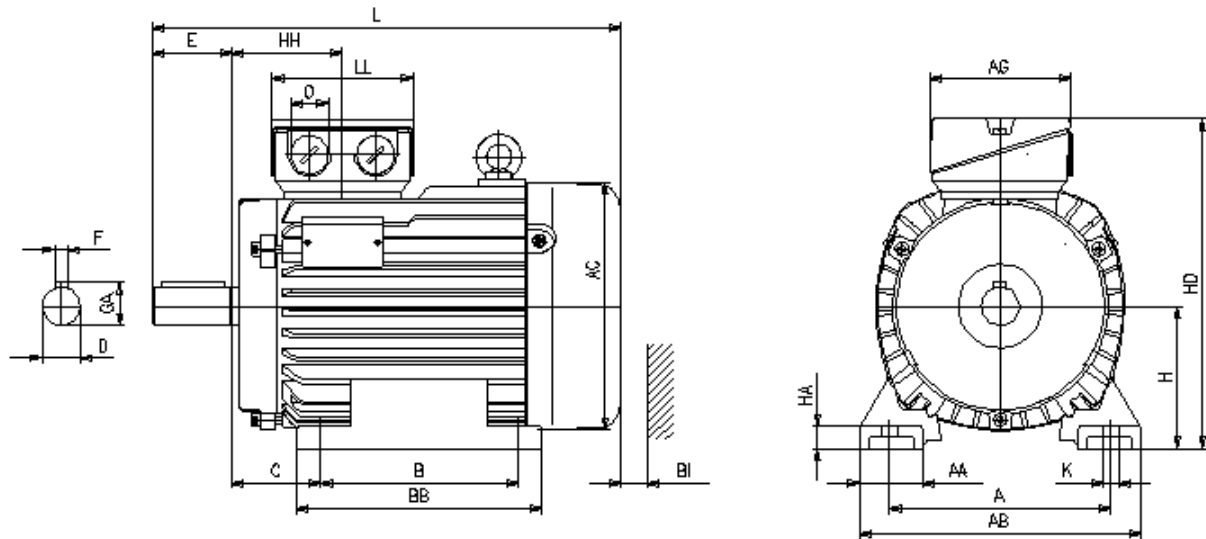
## IE3-W41R 100 L4

### Mounting position



Type of mounting: IM B3  
Flange: -  
Position of terminal box: on the top  
Brake type:  
Forced-ventilation:

Terminal box: KA 05  
Cable gland O: 1 xSealing plug



### Motor

A	AA	AB	AC	AD	B	B'	BA	BA'	BB	C	CA	K	K'
160	42	193	196	-	140	-	-	-	175	63	-	12	12
<b>Protection cover</b>												<b>Terminal box</b>	
L	LC	H	HA	HD	HH	BI	L	AG	LL	BE	AH	-	-
421	-	100	13	236	77	20	-	92	92	-	-	-	-

### Flange

P	N	LA	M	T	S	<b>Tolerances</b>							
-	-	-	-	-	-	H	N	D	DA	-	-	-	-
-	-	-	-	-	-	-0,5	j6	k6	k6	-	-	-	-

### Shaft-DS

D	E	GA	F	DB
28	60	31	8	DIN 332 DS- M10

### Shaft-NS

DA	EA	GC	FA
-	-	-	-

### DB...Centre hole

Delivery conditions and/or official regulations: IEC / EN 60034-1

This document was produced electronically, all specifications are valid only after confirmation of the manufacturer