

OUTLINE DIMENSIONS FOOT MOUNTED MOTORS

A	AA	AB	AC	HD	B	BB	C	E	ED	F	G	GD	H	HA	K	KK	L	LG	DH			
406	100	485	520	635	349	450	168	60(250M-2P)	65(250M-4-6P)	140	100	18	53(250M-2P)	58(250M-4-6P)	11	250	33	24	M63X1.5	945	360	M20X4.2

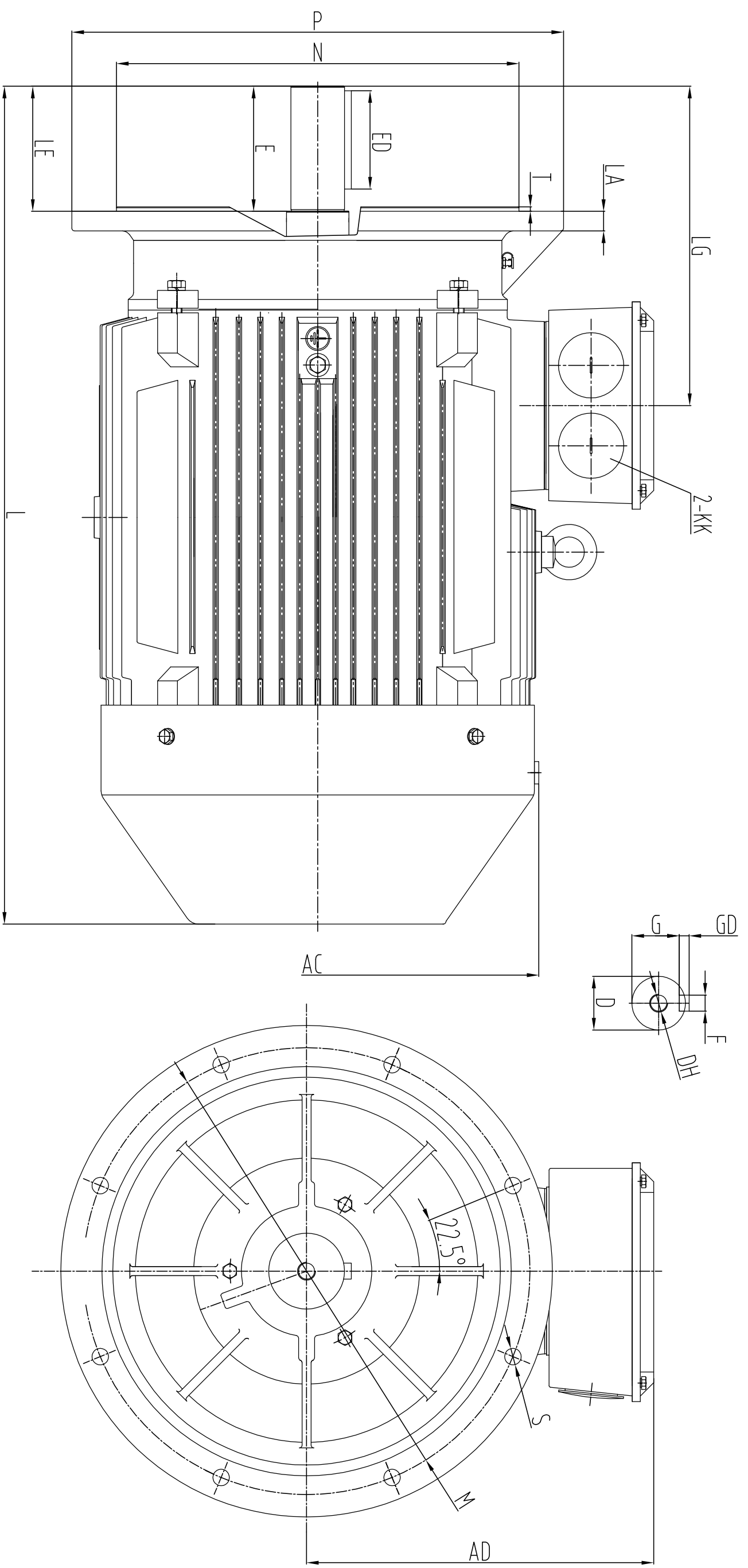
CUSTOMER APPROVAL

SIGNATURE

DATE

YE3-250(B3)
DIMENSION OUTLINE

DATE	CHK
DRAWN	APPD
ISSUE A DATE	CERTIFIED BY
ISSUE B DATE	CERTIFIED BY
ISSUE C DATE	CERTIFIED BY
ISSUE D DATE	CERTIFIED BY



OUTLINE DIMENSIONS FLANGE MOUNTED MOTORS

AC	AD	D	E	ED	F	G	GD	KK	L	LG	LA	M	N	P	S	T	DH	LE
520	385	60(250-2P) 65(250-4-6P)	140	110	18	53(250-2P) 58(250-4-6P)	11	M63X1.5	945	360	20	500	450	550	8xφ18.5	5	M20X42	140

修改
校对
审核
工艺
标准
设计
校对
审核
工艺
标准
批准

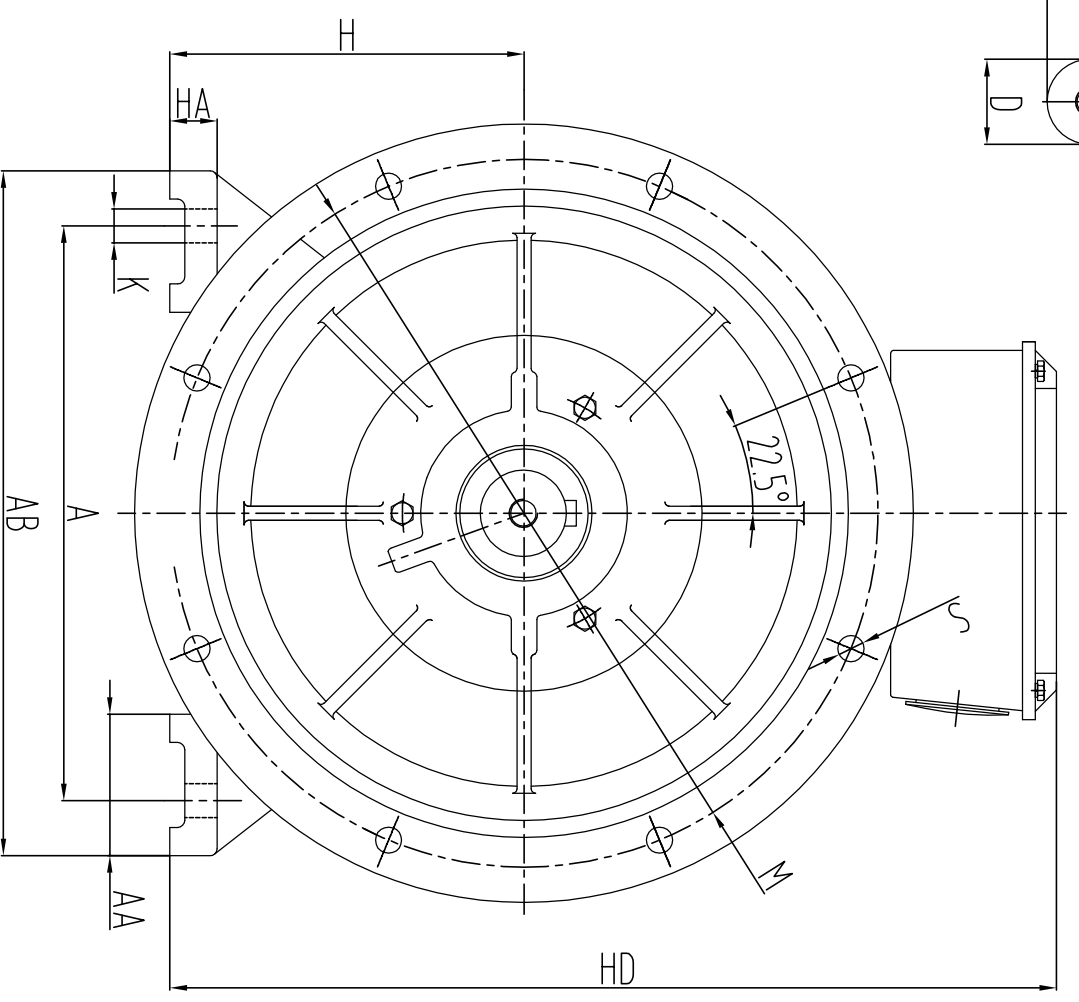
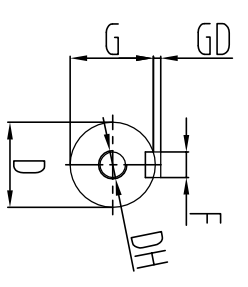
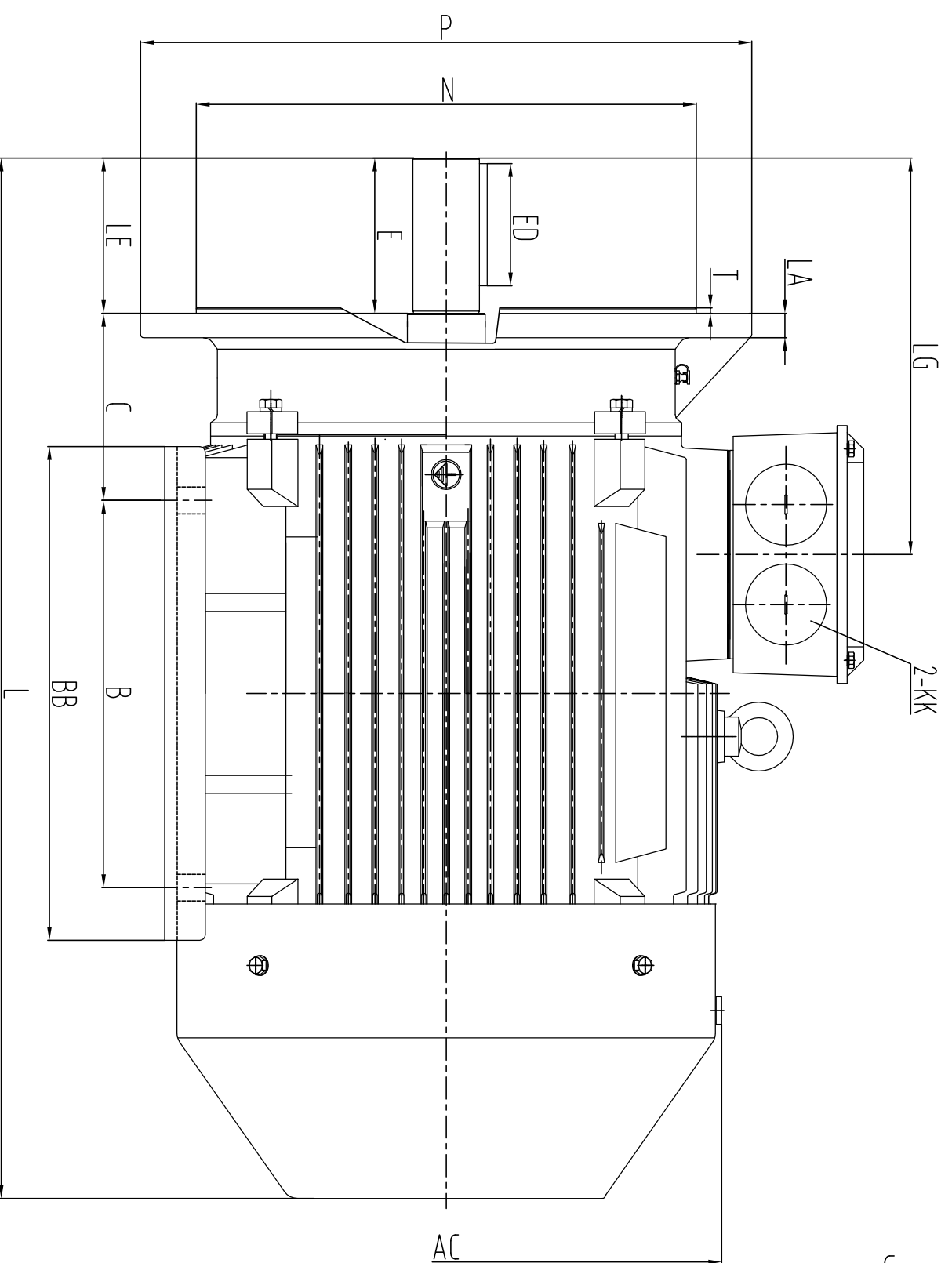
1
2
3
4
5
6
7
8
9
10
11
12
13
14
15
16

CUSTOMER APPROVAL

SIGNATURE _____ DATE _____

YE3-250(B5)		DATE		CHK	
		DRAWN		APPD	
DIMENSION OUTLINE		ISSUE A	DATE	CERTIFIED BY	
		ISSUE B	DATE	CERTIFIED BY	
		ISSUE C	DATE	CERTIFIED BY	
		ISSUE D	DATE	CERTIFIED BY	

G
F
E
D
C
B
A



OUTLINE DIMENSIONS FOOT AND FLANGE MOUNTED MOTORS

A	406
AA	100
AB	485
AC	520
HD	635
B	349
BB	450
C	168
D	60(250-2P) 65(250-4-6P)
E	140
ED	110
F	18
G	53(250-2P) 58(250-4-6P)
GD	11
H	250
HA	33
K	24
KK	M63X1.5
L	945
LG	360
LA	20
M	500
N	450
P	550
S	8xφ18.5
T	5
LE	140
DH	M20X42

修改
校对
审核
工艺
标准
设计
校对
审核
工艺
标准
批准

CUSTOMER APPROVAL _____ SIGNATURE _____ DATE _____

YE3-250(B35)

DIMENSION OUTLINE

Shandong Sunvim Electrical Machinery CO.,LTD

DATE	CHK
DRAWN	APPD
ISSUE A DATE	CERTIFIED BY
ISSUE B DATE	CERTIFIED BY
ISSUE C DATE	CERTIFIED BY
ISSUE D DATE	CERTIFIED BY

1	2	3	4	5	6	7	8	9	10	11	12	13	14	15	16
---	---	---	---	---	---	---	---	---	----	----	----	----	----	----	----