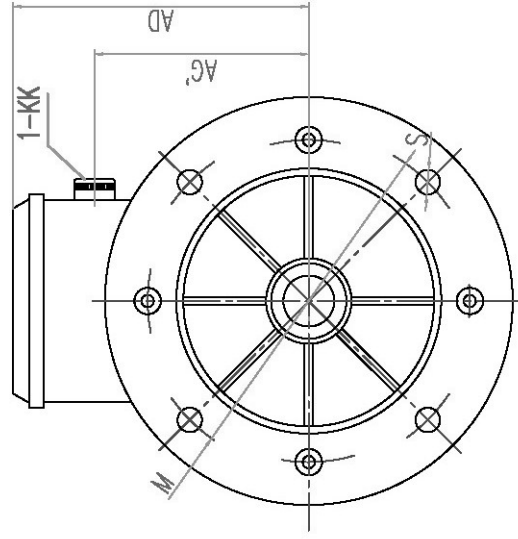
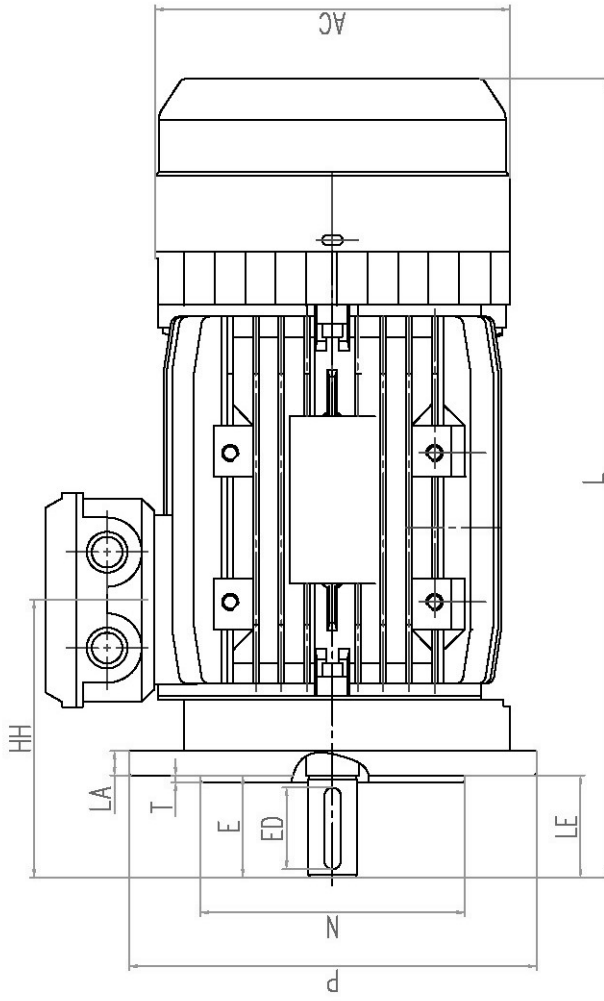
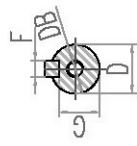


FRAME	KW
EMS90L2-4	2.2



CLIENT:

FRAME 90L2+ KW
RPM

OUTLINE DIMENSIONS FLANGE MOUNTED MOTORS

SHAFT EXT.DE ONLY

AC	AD	AG'	KK	L	LA	HH	LE	M	N	P	S	T	D	DB	E	ED	F	G
φ185	145	110	1-M20X1.5	400	12	133	50	φ165	φ130	φ200	4-φ12	3.5	φ24	M8x20	50	40	8	20

CUSTOMER APPROVAL

SIGNATURE _____ DATE _____

DATE		CHECKED BY
DESIGNED BY		APPROVED BY
ISSUE	DATE	CERTIFIED BY
ISSUE	DATE	CERTIFIED BY
ISSUE	DATE	CERTIFIED BY
ISSUE	DATE	CERTIFIED BY

EMS90L2-4 V1/B5

DIMENSION OUTLINE



