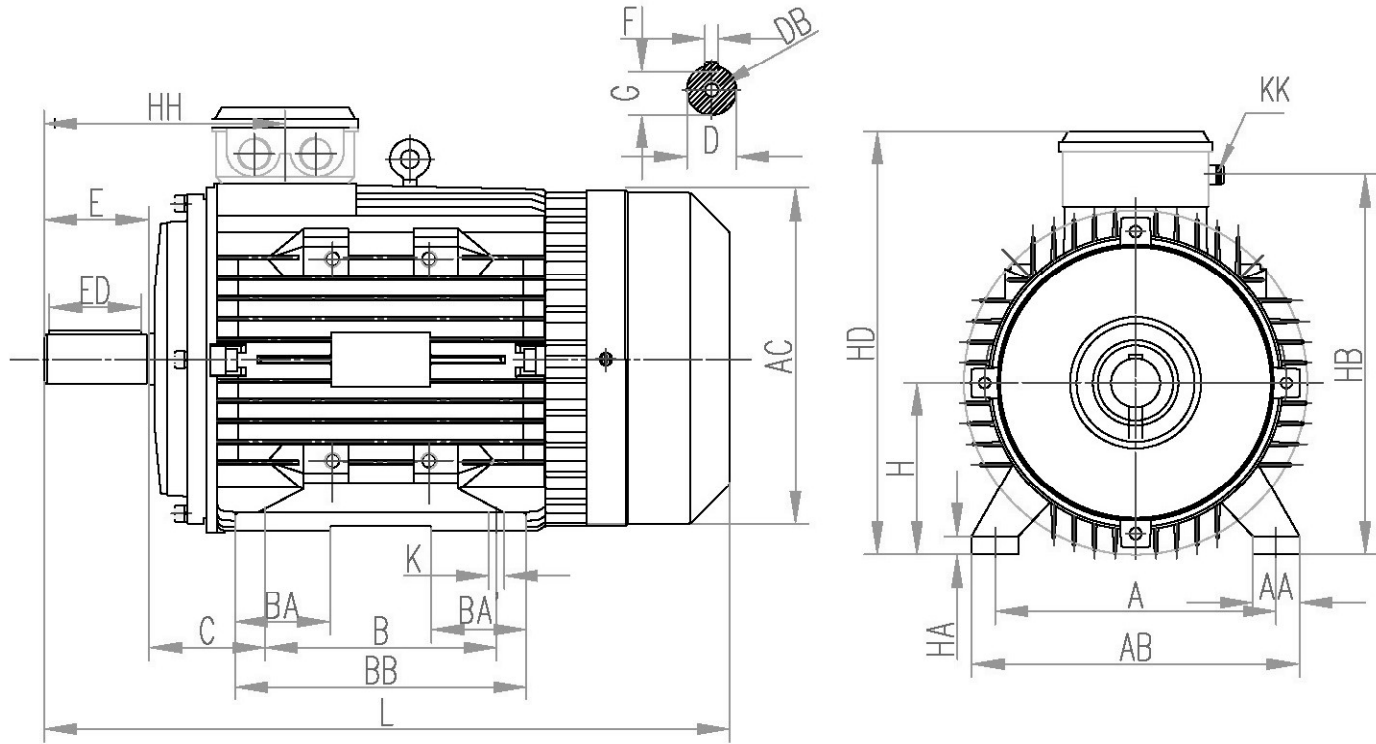


CLIENT:	FRAME	VOLTS	132L+extended NDE endshield	KW	RPM	FRAME	KW
						MS132L3-4	11
						EMS132L2-4	11



FOOT-OR-FLANGE-MOUNTING

SHAFT EXT.DE ONLY

WEIGHT(kg)

A	AA	AB	AC	B	BA	BA''	BB	C	H	HA	HB	HD	HH	K	KK	L					D	DB	E	ED	F	G							
216	36	252	∅270	178	51	51	212	89	132	14	291.5	325	184.5	12X16	2-M25X1.5	525					∅38	M12X28	80	70	10	33							

CUSTOMER APPROVAL

SIGNATURE

DATE

MS132L+extended
NDE endshield B3
DIMENSION OUTLINE



DATE		CHECKED BY
DESIGNED BY		APPROVED BY
ISSUE	DATE	CERTIFIED BY
ISSUE	DATE	CERTIFIED BY
ISSUE	DATE	CERTIFIED BY
ISSUE	DATE	CERTIFIED BY