



Manufacturer
VEM motors Thurm GmbH
Äußere Dresdner Str. 35
08066 ZWICKAU
Deutschland

Customer
Motoren Francoys
akkerstraat 10
MELLE
BELGIUM

**Three-phase motors with squirrel cage rotor,
Housing grey cast iron**

| | | | |
|--------------------------|----------------------|--------------------|------|
| Type | IE3-W41R 132 S6 | | |
| Design output | (kW) | 3 | |
| Design torque | (Nm) | 30 | |
| Class IE | [-] | IE3-85,6% | |
| Efficiency determination | EN 60034-2-1 | | |
| Duty type | S1 | | |
| Design frequency | (Hz) | 50 | |
| Design speed | [rpm] | 970 | |
| Voltage | (V) | 400/690 | |
| Connection | [-] | D | Y |
| Current | [A] | 6.75 | 3.91 |
| Relative pull-in current | [-] | 7,2 | |
| Relative starting torque | [-] | 2,8 | |
| Relative pull-up torque | [-] | 2,7 | |
| Relative pull-out torque | [-] | 4 | |
| Efficiency100/75/50 % | [%] | 85,6 / 85,3 / 82,5 | |
| Power factor | [-] | 0,74 | |
| Th. cl. | 155(F) | | |
| Coolant temperature | (°C) | -20°C...+40°C | |
| Altitude above sea level | (m) | 1000m | |
| Degree of protection IP | IP55 | | |
| Moment of inertia | (kgm ²) | 0,029 | |
| Motor weight | (kg) | 70 | |
| Bearing, D-side | 6208 2ZN C3 | | |
| Bearing, N-side | 6207 2ZN C3 | | |
| Relubrication interval | (h) | | |
| Grease type | Asonic GLY 32 | | |
| Grease amount | (g) | | |
| A-sound pressure level | (dB) | 55 | |

Options

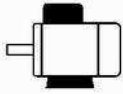
| | |
|--------------------------------------------------|----------------------------------------|
| Type of mounting | IM B3 |
| Flange | - |
| Terminal box | Standard |
| Position of terminal box | on the top |
| Cable gland | Sealing plug |
| Position of cable entry | right |
| Shaft | Standard, 1 shaft end |
| Bearing | Easy bearing arrangement |
| Limit values to vibration velocity | Class A |
| | Balancing with half key |
| Colour system | 01 Moderate (KK C2),RAL 7031 blue-grey |
| Delivery conditions and/or official regulations: | IEC / EN 60034-1 |

This document was produced electronically, all specifications are valid only after confirmation of the manufacturer

Three-phase motors with squirrel cage rotor,
Housing grey cast iron

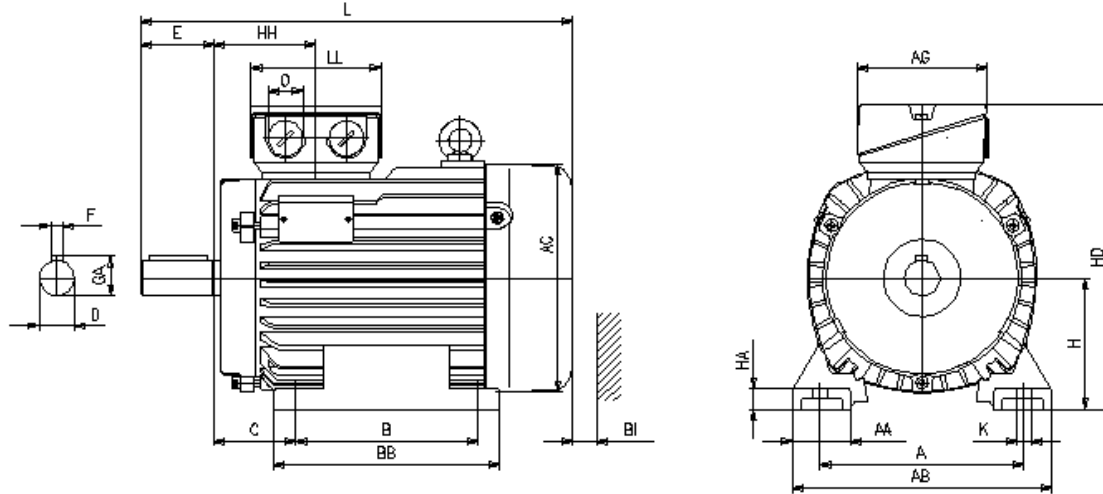
IE3-W41R 132 S6

Mounting position



Type of mounting: IM B3
Flange: -
Position of terminal box: on the top
Brake type:
Forced-ventilation:

Terminal box: KK 25 A
Cable gland O: 1 x Sealing plug



Motor

| | | | | | | | | | | | | | |
|----------|-----------|-----------|-----------|-----------|-----------|-----------|-----------|------------|-----------|---------------------|-----------|----------|-----------|
| A | AA | AB | AC | AD | B | B' | BA | BA' | BB | C | CA | K | K' |
| 216 | 50 | 256 | 217 | - | 140 | | 53 | - | 180 | 89 | - | 12 | 12 |
| L | LC | H | HA | HD | HH | BI | | | | Terminal box | | | |
| 527 | - | 132 | 16 | 310 | 107 | 35 | AG | LL | BE | AH | | | |
| | | | | | | | 156 | 145 | - | - | | | |

Flange

| | | | | | |
|----------|----------|-----------|----------|----------|----------|
| P | N | LA | M | T | S |
| - | - | - | - | - | - |

Tolerances

| | | | |
|----------|----------|----------|-----------|
| H | N | D | DA |
| -0,5 | j6 | k6 | k6 |

Shaft-DS

| | | | | |
|----------|----------|-----------|----------|-----------------|
| D | E | GA | F | DB |
| 38 | 80 | 41 | 10 | DIN 332 DS- M12 |

Shaft-NS

| | | | |
|-----------|-----------|-----------|-----------|
| DA | EA | GC | FA |
| - | - | - | - |

DB...Centre hole

Delivery conditions and/or official regulations: IEC / EN 60034-1

This document was produced electronically, all specifications are valid only after confirmation of the manufacturer