



Manufacturer

Customer

**VEM motors GmbH**  
**Carl-Friedrich-Gauß-Straße 1**

**38855 WERNIGERODE**  
**Deutschland**

**Three-phase motors with squirrel cage rotor,**  
**Housing grey cast iron**

Type	IE3-W41R 132 M6	HW	
Design output	( kW )	4	
Design torque	( Nm )	40	
Class IE	( - )	IE3-86,8%	
Efficiency determination		EN 60034-2-1	
Duty type		S1	
Design frequency	( Hz )	50	
Design speed	[rpm]	965	
Voltage	( V )	230/400	
Connection	( - )	D	Y
Current	( A )	14.4	8.3
Relative pull-in current	( - )	4,8	
Relative starting torque	( - )	1,7	
Relative pull-out torque	( - )	2,4	
Efficiency100/75/50 %	( % )		86,8 / 87 / 86
Power factor	( - )	0,8	
Th. cl.		155(F/B)	
Coolant temperature	( °C )	-20°C...+40°C	
Altitude above sea level	( m )	1000m	
Degree of protection IP		IP55	
Moment of inertia	( kgm <sup>2</sup> )	0,043	
Motor weight	( kg )	75	
Bearing, D-side		6308 ZZ C3	
Bearing, N-side		6308 ZZ C3	
Relubrication interval	( h )		
Grease type		ASONIC GHY 72	
Grease amount	( g )		
A-sound pressure level	( dB )	55	

**Options**

Type of mounting	IM B3
Flange:	-
Terminal box	Standard
Position of terminal box	on the top
Cable gland	Sealing plug
Position of cable entry	right
Shaft	Standard
Bearing	Easy bearing arrangement
Special details to bearings	Fixed bearing, N-side
Limit values to vibration velocity	Class A
	Balancing with half key
Colour system	01 Moderate (KK C2),RAL 7031 blue-grey

Delivery conditions and/or official regulations: IEC / EN 60034-1

This document was produced electronically, all specifications are valid only after confirmation of the manufacturer

# Data sheet

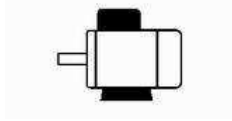
24.07.2018 MADE WITH VEM EKAT V10.9



Three-phase motors with squirrel cage rotor,  
Housing grey cast iron

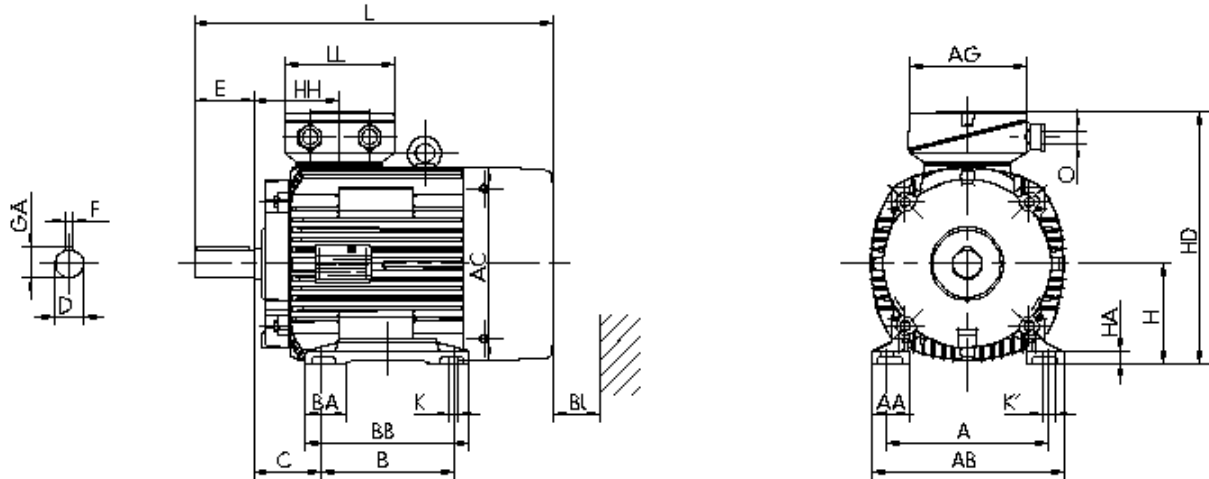
## IE3-W41R 132 M6 HW

### Mounting position



Type of mounting: IM B3  
Flange: -  
Position of terminal box: on the top  
Brake type:  
Forced-ventilation:

Terminal box: KK 25 A  
Cable gland O: 1 x Sealing plug



### Motor

A	AA	AB	AC	AD	B	B'	BA	BA'	BB	C	CA	K	K'
216	50	256	258	-	178		53	-	218	89	-	12	12

L	LC	H	HA	HD	HH	BI	Terminal box		AG	LL	BE	AH
481	-	132	16	331	114	35			156	145	-	-

### Flange

P	N	LA	M	T	S
-	-	-	-	-	-

### Tolerances

H	N	D	DA
-0,5	j6	k6	k6

### Shaft-DS

D	E	GA	F	DB
38	80	41	10	DIN 332 DS- M12

### Shaft-NS

DA	EA	GC	FA
-	-	-	-

### DB...Centre hole

Delivery conditions and/or official regulations: IEC / EN 60034-1

This document was produced electronically, all specifications are valid only after confirmation of the manufacturer