

Data sheet for three-phase Squirrel-Cage-Motors SIMOTICS

Motor type : 1CV3164A

SIMOTICS SD - 160 L - IM B3 - 2p

Client order no.	Item-No.	Offer no.
Order no.	Consignment no.	Project
Remarks		

Electrical data

Safe Area

U [V]	Δ / Y	f [Hz]	P [kW]	P [hp]	I [A]	n [1/min]	M [Nm]	$\eta^{3)}$			$\cos\phi^{3)}$			I_A/I_N I_f/I_N	M_A/M_N T_f/T_N	M_K/M_N T_B/T_N	IE-CL
								4/4	3/4	2/4	4/4	3/4	2/4				
DOL duty (S1) - 155(F) to 130(B)																	
400	Δ	50	18.50	-/-	32.00	2955	60.0	92.4	92.8	92.4	0.90	0.87	0.80	9.0	2.8	4.2	IE3
690	Y	50	18.50	-/-	18.60	2955	60.0	92.4	92.8	92.4	0.90	0.87	0.80	9.0	2.8	4.2	IE3
460	Δ	60	21.30	-/-	32.00	3555	57.0	91.7	91.5	90.3	0.91	0.88	0.80	9.0	2.6	4.2	IE3
460	Δ	60	18.50	-/-	28.50	3560	49.5	91.7	91.5	90.3	0.89	0.86	0.78	10.2	3.0	4.8	IE3
IM B3 / IM 1001		FS 160 L		IP55		UKCA		IEC/EN 60034		IEC, DIN, ISO, VDE, EN							
Environmental conditions : -20 °C - +40 °C / 1,000 m										Locked rotor time (hot / cold) : 13.5 s 19.9 s							

Mechanical data

Sound level (SPL / SWL) at 50Hz 60Hz	70 / 82 dB(A) ^{2) 3)}	77 / 89 dB(A) ^{2) 3)}	External earthing terminal	Without
Moment of inertia	0.0680 kg m ²		Vibration severity grade	A
Bearing DE NDE	6309 Z C3	6309 Z C3	Thermal class	F
bearing lifetime			Duty type	S1
L_{10min} F_{Rad} min 50 60Hz ¹⁾ for coupling operation	40000 h	32000 h	Direction of rotation	bidirectional
Relubrication interval/quantity DE NDE	10 g 10 g 8000 h		Frame material	cast iron
Lubricants	Unirex N3		Net weight of the motor (IM B3)	127 kg
Regreasing device	With (standard)		Coating (paint finish)	Special paint finish C3
Grease nipple	M8x1 DIN 71412		Color, paint shade	RAL7030
Type of bearing	Locating bearing NDE		Motor protection	(B) 3 PTC thermistors - for tripping (standard) (2 terminals)
Condensate drainage holes	With (standard)		Method of cooling	IC411 - self ventilated, surface cooled


Terminal box

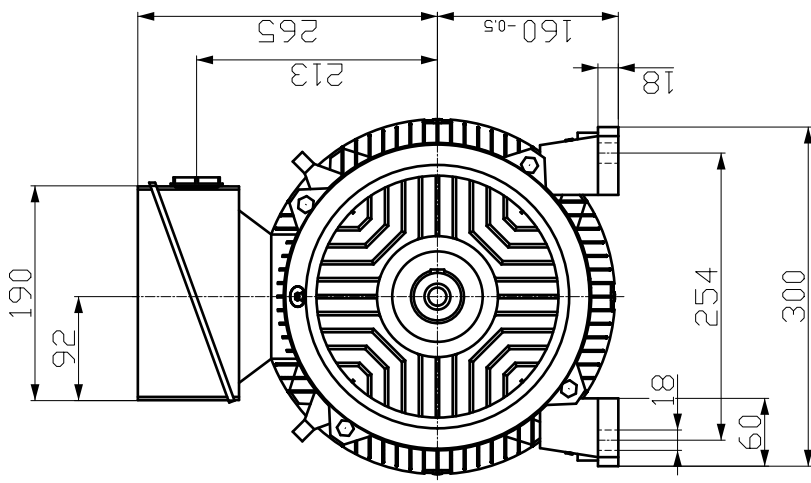
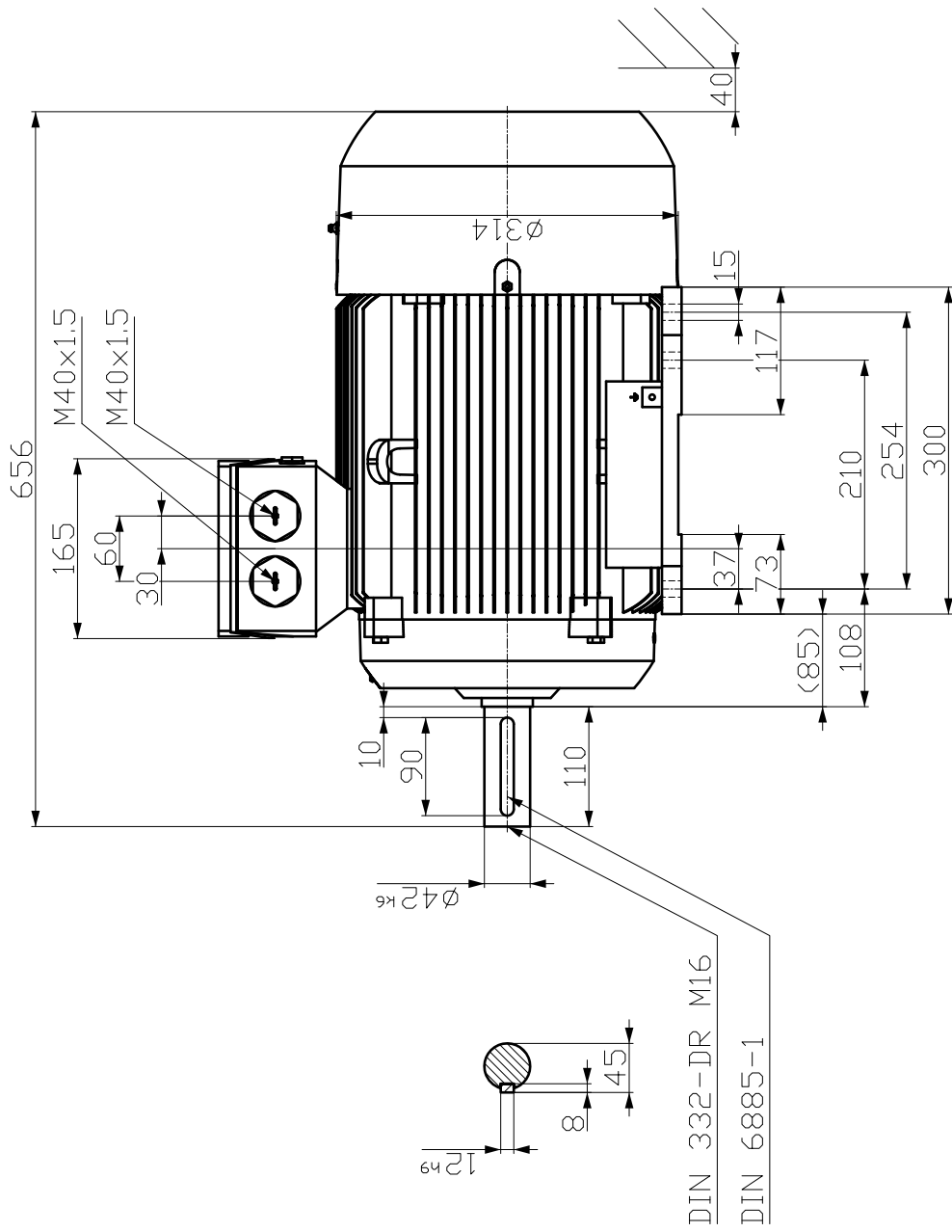
Terminal box position	top	Max. cross-sectional area	16 mm ²
Material of terminal box	cast iron	Cable diameter from ... to ...	19 mm - 28 mm
Type of terminal box	TB1 J01	Cable entry	2xM40x1,5-1xM16x1,5
Contact screw thread	M5	Cable gland	3 plugs

Notes:

I_A/I_N = locked rotor current / current nominal
 M_A/M_N = locked rotor torque / torque nominal
 M_K/M_N = break down torque / nominal torque

1) L10mh according to DIN ISO 281 10/2010
 2) at rated power / at full load
 3) Value is valid only for DOL operation with motor design IC411

responsible dep. DI MC LVM	technical reference	created by DT Configurator	approved by	<i>Technical data are subject to change! There may be discrepancies between calculated and rating plate values.</i>	Link documents
	document type datasheet	document status released		document number	
	title 1LE1603-1DA43-4AB4	rev. 943	creation date 2023-03-07		
© Siemens AG 2023					



Reference	Surface	Material	Weight	Scale
1LE1603-1DA43-4AB4	Author Creator Approval Department Change Order	Dimensional drawing Maßzeichnung	-	mm
SIEMENS	Doc. State	Item No	Doc. Type	Paper Size
	Revision	7/03/23	Item No	A3
	Project No	16	Doc. No	1st Language
	2023	16	Doc. No	en
© Siemens AG	6	7	1 of 1	1

Technische Änderungen vorbehalten!
Technical data are subject to change!

Conte a titre de secret d'entreprise. Tous droits réservés.
 Als Dokument, Verwertung und Vervielfältigung dieses Besondere ist...
 Schenkung, Verwertung und Vervielfältigung dieses Besondere ist...
 Schenkung, Verwertung und Vervielfältigung dieses Besondere ist...
 Schenkung, Verwertung und Vervielfältigung dieses Besondere ist...