

N° :

Date : 27 févr. 2018

### Induction motor

4P LSES 315SP 110kW IFT/IE3 B3 230D/380Y/400Y/415Y-460Y 50-60Hz -

**Utilisation :** Environment Current ; Ambiance Non corrosive ; Finition - ; Zone Non specific ; General applications ; Ambient temperature -16 +40 °C ; Maximum altitude 1000 m.

**Motor characteristics :** Aluminium alloy housing ; Cast iron DE endshield ; Cast iron NDE endshield.



### Motor definition

		Application	General applications
Protection type	-	Main voltage (V)	400
Generation code	IFT	Connection	DY
Efficiency class	IE3	Motor winding (V)	230D/380Y/400Y/415Y-460Y
Number of network phases	3	Rated Frequency (Hz)	50-60
Number of speed		Operation position	IM1001(IMB3)
Polarity	4P	Index of protection	IP55
Motor serie	LSES	Index of cooling	IC411
Frame size (mm)	315	Insulation class	F
Length code	SP	Finish	-
HS rated power (kW)	110.000	Moment of inertia J (kg.m <sup>2</sup> )	2.4322000
LS rated power (kW)	-	Motor weight (kg)	690.0
Rated speed (min-1)	1488		
Maximum mechanical speed (min-1)	2700		

### Common definitions

Paint shade	RAL6000
Paint system	la (1 polyurethane coat 20/30 microns)

### Motor mechanical interface

Mounting flange	-	Shaft material type	Steel shaft
Drive end shaft type	IEC STANDARD shaft end	Nuance of shaft material	-
Diameter DE shaft (mm)	80m6	Second shaft extension	-
Length DE shaft (mm)	170	Diameter NDE shaft (mm)	-
DE bearing mounting	Locked	Second shaft end length (mm)	-
DE bearing type	DE ball bearing	NDE bearing type	NDE ball bearing
DE bearing	6320	NDE bearing	6317
Code Type de graissage	Graisseurs		

### Motor electrical interface

Connection network type	Terminal box	Cable type	-
Connection network material	Aluminium alloy	Cable gland material	-
Connection network position	A	Main cable gland type	-
Connection network orientation	up	Principal cable gland position	Right (1)
Connection network relative position	0		

N° :

Date : 27 févr. 2018

**Induction motor - 4P LSES 315SP 110kW IFT/IE3 B3 230D/380Y/400Y/415Y-460Y 50-60Hz -**

**Motor options**

Vibration level	A (45µm ; 2.8mm/s ; 4.4m/s <sup>2</sup> )	Cover	Metal cover
Balancing type	Half-key (H)	Drip proof cover option	-
Impregnation type	< 95% ; -16+40°C (T)	cooling type	-
Winding thermal protection	1xPTC (winding)	Forced ventilation characteristics	-
Space heater	-	Encoder type	-
Draining plugs position	6H	Encoder characteristics	-
Nameplate material	Aluminium nameplate	Screw material	Steel screw
Endshield thermal protection	-	Adaptation for vibration sensor	-
Reinforced winding insulation	-		

**Motor characteristics (on mains supply)**

Main voltage (V)	Rated Frequency (Hz)	HS rated power (kW)	Rated torque (N.m)	Rated speed (min-1)	Rated current (A)	Power factor at 4/4 of the load	Power factor at 3/4 of the load	Power factor at 2/4 of the load	Efficiency at 4/4 (IEC 60 034-2-1) of the load (%)	Efficiency at 3/4 (IEC 60 034-2-1) of the load (%)	Efficiency at 2/4 (IEC 60 034-2-1) of the load (%)
380	50	110.000	706	1486.00	206.00	0.85			95.45		
400	50	110.000	706	1488	198.0	0.84	0.8	0.7	95.60	95.64	95.08
415	50	110.000	706	1488.00	193.00	0.82			95.83		
460	60	-	-	1790.00	176.00	0.82			95.80		

**Motor characteristics (on mains supply) 400 V 50 Hz**

Starting torque (N.m)	2188.6	Id / In	7.65
Average starting torque (N.m)		Id	1514.70
Maximum torque (N.m)	2012,1	Maximum current (A)	
Unload maximum starting frequency (d/h)	-	No-load current (A)	0.00
Rotor locked time (cold) (s)		Acoustic pressure level (dB(A))	76

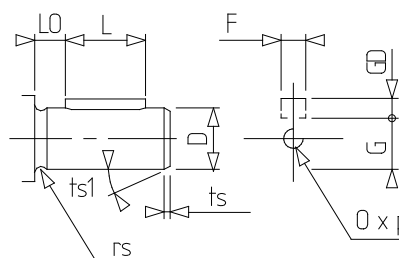
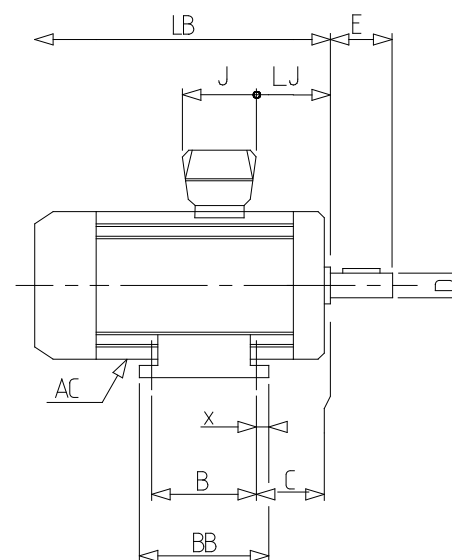
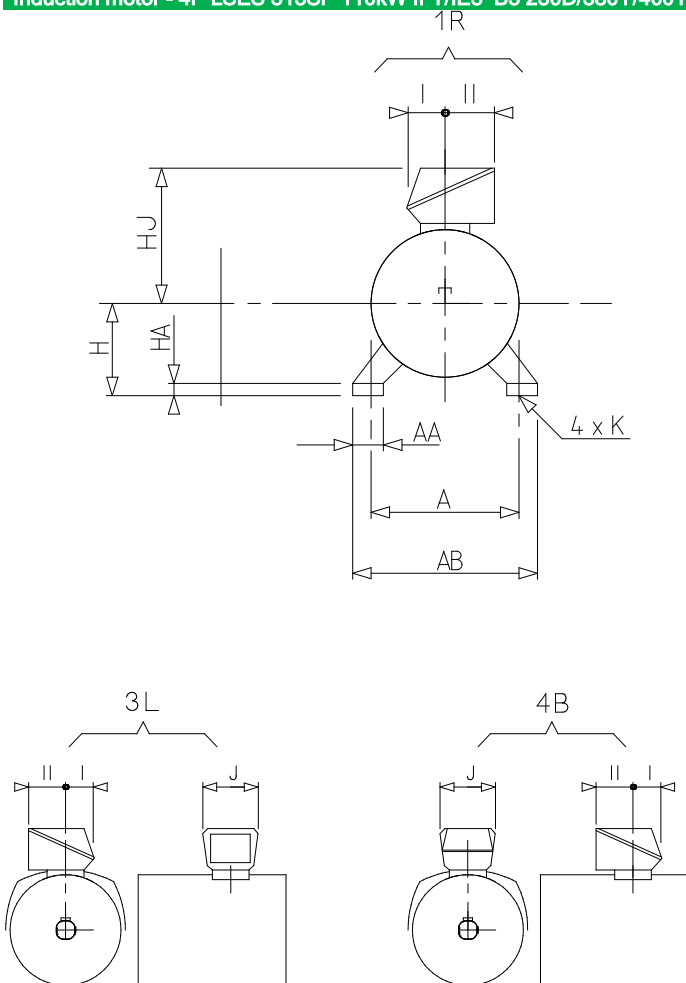
**Motor characteristics (supplied via drives)**

Main voltage (V)	Nominal frequency (Hz)	Pn (kW)	Nn (min-1)	In (A)	Cos Phi	Mn @ f/10 (N.m)	Mn @ f/5 (N.m)	Mn @ f/3 (N.m)	Mn @ f/2 (N.m)	Mn (N.m)	Mn @ fx1.7 (N.m)	Mn @ fx2 (N.m)
-	50	0	0	0	0	0.00	0.00	0.00	0.00	0.000	0.00	0.00

N° :

Date : 27 févr. 2018

Induction motor - 4P LSES 315SP 110kW IFT/IE3 B3 230D/380Y/400Y/415Y-460Y 50-60Hz -



A	508
AA	114
AB	594
AC	586.00
B	406
BB	537
C	216.0
D	80m6
E	170
F	22
G	71
GD	14
H	315
HA	70
HJ	555.0
I	180
II	233
J	420
K	28
L	140
LB	947.0
LJ	61.0
LO	15
O	M20
p	42
rs	0.8
ts	1
ts1	45
x	40