

N° :

Date : 15 janv. 2019

**Universal drive IP20**  
**Unidrive M700-04400150A10100AB100**

### Definition

Product range	Unidrive
Model	M700-044-00150A
Model	M700 (1 STO - 3 SI options - CodeSys - Ethernet) 6 pulses - internal choke (A)
Onboard Comms	Ethernet (2 switched ports)
Onboard intelligence	Machine Control Studio & AMC
Control Connections	1 STO / 3 AI (0-10V & 4-20mA) + 2 AO (0-10V) + 1 DI + 1 DO + 3 DIO + 1 RLY
Product cooling version	Air cooling (A)



### Electrical characteristics

#### Network side electrical characteristics

Power supply number of phases	3
Power supply voltage and frequency	380 to 480V (±10%) 45 to 66Hz
Power supply nominal current (A)	19.0

#### Motion side electrical characteristics

#### Heavy duty / Open loop control mode

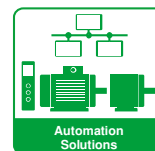
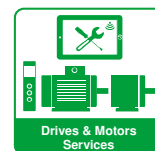
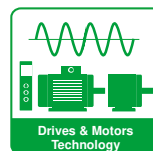
Continuous output current (A)	15.00 @ 3 kHz - 40°C
Output maximal current (A)	22.50
Maximum overload duration from 100% I <sub>co</sub> (s) / repetitivity (s)	7.00 / 600.00
Maximum overload duration from cold (s) / repetitivity (s)	60.00 / 600.00

Power supply voltage (V ±10%)	Power supply number of phases	Power supply nominal current (A)	Overload	Maximum ambient temperature (°C)	Switching frequency (kHz)	Continuous output current (A)	Losses (W)
400	3	19.0	Heavy duty	40	3	15.0	189
					6	15.0	238
					8	14.4	262
				12	11.5	274	
				50	3	8.6	189
					8	8.6	253
			12		8.4	276	
			Normal duty	40	3	18.5	225
					8	18.5	322
					12	14.6	325
				50	3	8.6	213
					8	8.6	300
12	8.4	323					

Power supply voltage (V ±10%)	Power supply number of phases	Surcharge	Mode de fonctionnement	Output maximal current (40°C) (A)	Maximum overload duration from 100% I <sub>co</sub> (s)	Maximum overload duration from cold (s)
400	3	Heavy duty	Closed loop control mode	30.0	3.00	28.00
			Open loop control mode	22.5	7.00	60.00
		Normal duty	Open loop control mode	20.3	9.00	165.00

### characteristics

Size	04	Drive flow rate (m3/h)	60
Dimensions (HxWxD)	365 x 124 x200	accoustic noise (dB(A))	56.9
Weight (kg)	6.50	Maximal altitude (m)	1000
Protection indice	IP20	Maximal relative humidity (%)	95



N° : \_\_\_\_\_ Date : 15 janv. 2019

**Universal drive IP20 - Unidrive M700-04400150A10100AB100**

**Power options, network side**

Line choke	In (A)	Inductance (mH)	Losses (W)	Dimensions (HxWxD)	Weight (kg)
-	0	0	0	0 x 0 x 0	0.0

**Power options, motion side**

Braking transistor	Braking transistor Included

**Integral options**

Integrated control interface	Without display and setting
HMI / keypad	-
PC communication interface	-
Option slot SM/SI 1	-
Option slot SM/SI 2	-
Option slot SM/SI 3	-
AI Option / Smartcard slot	-
HD15 / terminals feedback device interface	-

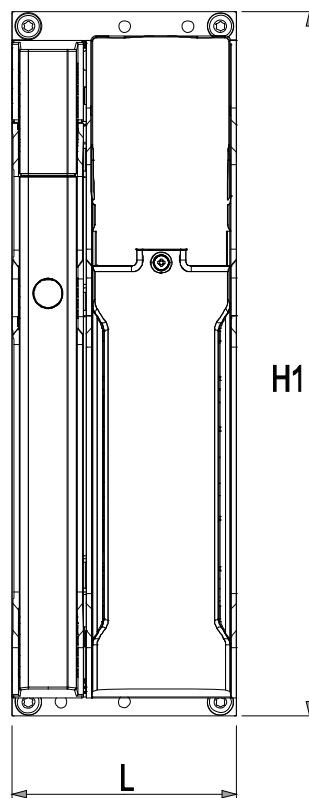
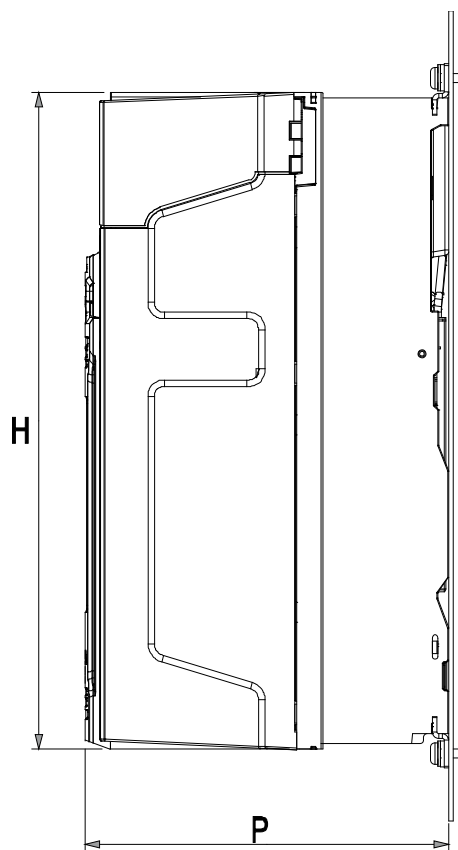
**Environmental options**

IP / UL / through panel kits	-
Product fan management	-

N° :

Date : 15 janv. 2019

Variable speed drive (6 pulses) : Unidrive M700-04400150A10100AB100



H (mm)	365
H1 (mm)	391
H2 (mm)	0

L (mm)	124
--------	-----

P (mm)	200
P1 (mm)	0

Weight (kg)	6.50
Total weight (kg)	6.50