



N° :

Date : 27 févr. 2018

Induction motor with options

4P LSES 132MU 7,5kW IFT/IE3 B3 230D/380Y/400Y/415Y-460Y 50-60Hz -

1xPTC (winding) ;

Utilisation : Environment Current ; Ambiance Non corrosive ; Finition - ; Zone Non specific ; General applications ; Ambient temperature -16 +40 °C ; Maximum altitude 1000 m.

Motor characteristics : Aluminium alloy housing ; Cast iron DE endshield ; Cast iron NDE endshield.



Motor definition

| Motor definition | | Application | General applications |
|----------------------------------|-------|--|--------------------------|
| Protection type | - | Main voltage (V) | 400 |
| Generation code | IFT | Connection | DY |
| Efficiency class | IE3 | Motor winding (V) | 230D/380Y/400Y/415Y-460Y |
| Number of network phases | 3 | Rated Frequency (Hz) | 50-60 |
| Number of speed | | Operation position | IM1001(IMB3) |
| Polarity | 4P | Index of protection | IP55 |
| Motor serie | LSES | Index of cooling | IC411 |
| Frame size (mm) | 132 | Insulation class | F |
| Length code | MU | Finish | - |
| HS rated power (kW) | 7.500 | Moment of inertia J (kg.m ²) | 0.0296500 |
| LS rated power (kW) | - | Motor weight (kg) | 62.6 |
| Rated speed (min-1) | 1458 | | |
| Maximum mechanical speed (min-1) | 6700 | | |

Common definitions

| | |
|--------------|--|
| Paint shade | RAL6000 |
| Paint system | la (1 polyurethane coat 20/30 microns) |

Motor mechanical interface

| | | | |
|------------------------|------------------------|------------------------------|------------------|
| Mounting flange | - | Shaft material type | Steel shaft |
| Drive end shaft type | IEC STANDARD shaft end | Nuance of shaft material | - |
| Diameter DE shaft (mm) | 38k6 | Second shaft extension | - |
| Length DE shaft (mm) | 80 | Diameter NDE shaft (mm) | - |
| DE bearing mounting | Located | Second shaft end length (mm) | - |
| DE bearing type | DE ball bearing | NDE bearing type | NDE ball bearing |
| DE bearing | 6308 | NDE bearing | 6307 |
| Code Type de graissage | Vie | | |

Motor electrical interface

| | | | |
|--------------------------------------|-----------------|--------------------------------|---|
| Connection network type | Terminal box | Cable type | - |
| Connection network material | Aluminium alloy | Cable gland material | Cable gland not supplied, holes tapped with polyamide plugs |
| Connection network position | A | Main cable gland type | 2xM25 + 1xM16 ; With plugs |
| Connection network orientation | up | Principal cable gland position | Right (1) |
| Connection network relative position | 0 | | |

N° :

Date : 27 févr. 2018

Induction motor with options - 4P LSES 132MU 7,5kW IFT/IE3 B3 230D/380Y/400Y/415Y-460Y 50-60Hz -

Motor options

| | | | |
|-------------------------------|------------------------------|------------------------------------|-------------|
| Vibration level | A (25µm ; 1.6mm/s ; 2.5m/s²) | Cover | Metal cover |
| Balancing type | Half-key (H) | Drip proof cover option | - |
| Impregnation type | < 95% ; -16+40°C (T) | cooling type | - |
| Winding thermal protection | 1xPTC (winding) | Forced ventilation characteristics | - |
| Space heater | - | Encoder type | - |
| Draining plugs position | 6H | Encoder characteristics | - |
| Nameplate material | Aluminium nameplate | Screw material | Steel screw |
| Endshield thermal protection | - | Adaptation for vibration sensor | - |
| Reinforced winding insulation | - | | |

Motor characteristics (on mains supply)

| Main voltage (V) | Rated Frequency (Hz) | HS rated power (kW) | Rated torque (N.m) | Rated speed (min-1) | Rated current (A) | Power factor at 4/4 of the load | Power factor at 3/4 of the load | Power factor at 2/4 of the load | Efficiency at 4/4 (IEC 60 034-2-1) of the load (%) | Efficiency at 3/4 (IEC 60 034-2-1) of the load (%) | Efficiency at 2/4 (IEC 60 034-2-1) of the load (%) |
|------------------|----------------------|---------------------|--------------------|---------------------|-------------------|---------------------------------|---------------------------------|---------------------------------|--|--|--|
| 380 | 50 | 7.500 | 49,1 | 1450.00 | 14.50 | 0.87 | | | 90.40 | | |
| 400 | 50 | 7.500 | 49,1 | 1458 | 14.0 | 0.86 | 0.82 | 0.73 | 90.60 | 91.72 | 92.07 |
| 415 | 50 | 7.500 | 49,1 | 1462.00 | 13.60 | 0.85 | | | 90.90 | | |
| 460 | 60 | - | - | 1766.00 | 12.10 | 0.84 | | | 91.96 | | |

Motor characteristics (on mains supply) 400 V 50 Hz

| | | | |
|---|--------|---------------------------------|--------|
| Starting torque (N.m) | 144.85 | Id / In | 8.0 |
| Average starting torque (N.m) | | Id | 112.00 |
| Maximum torque (N.m) | 164,49 | Maximum current (A) | |
| Unload maximum starting frequency (d/h) | - | No-load current (A) | 0.00 |
| Rotor locked time (cold) (s) | | Acoustic pressure level (dB(A)) | 61 |

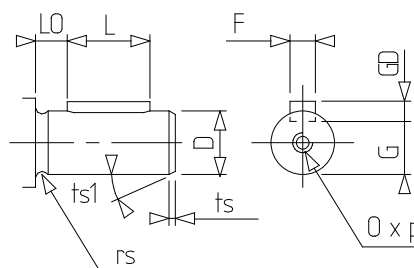
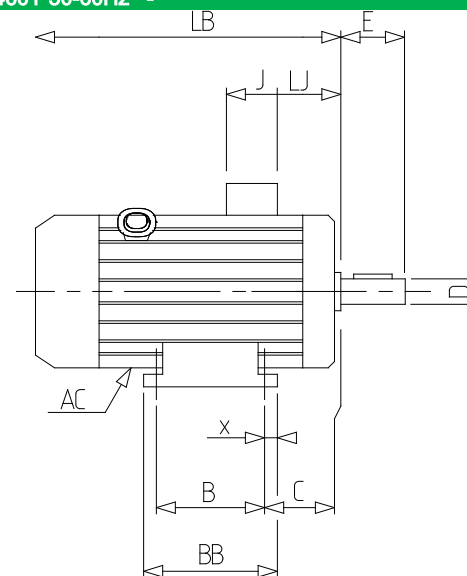
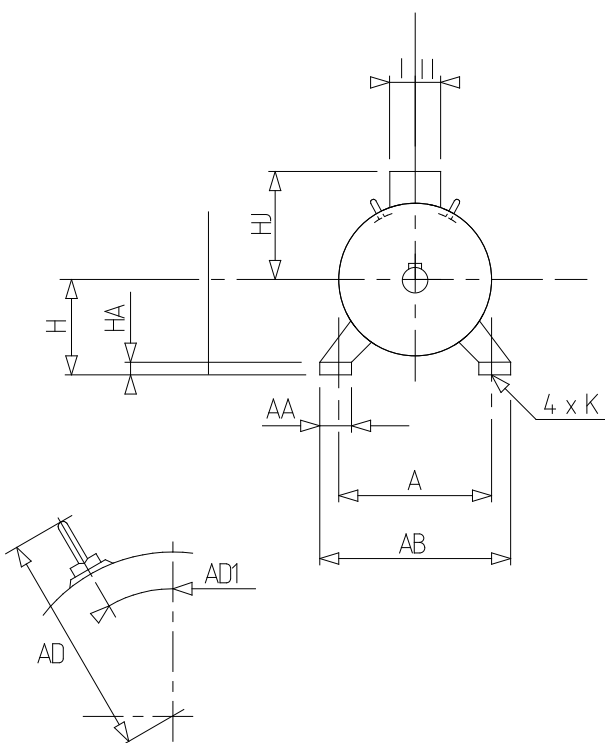
Motor characteristics (supplied via drives)

| Main voltage (V) | Nominal frequency (Hz) | Pn (kW) | Nn (min-1) | In (A) | Cos Phi | Mn @ f/10 (N.m) | Mn @ f/5 (N.m) | Mn @ f/3 (N.m) | Mn @ f/2 (N.m) | Mn (N.m) | Mn @ fx1.7 (N.m) | Mn @ fx2 (N.m) |
|------------------|------------------------|---------|------------|--------|---------|-----------------|----------------|----------------|----------------|----------|------------------|----------------|
| 400 Y | 50 | 7.5 | 1458 | 14.89 | 0.86 | 0.00 | 44.19 | 44.19 | 49.10 | 49.100 | 28.22 | 0.00 |
| 400 D | 87 | 13.05 | 2525 | 25.9 | 0.86 | 0.00 | 44.19 | 44.19 | 49.10 | 49.100 | 0.00 | 0.00 |

N° :

Date : 27 févr. 2018

Induction motor with options - 4P LSES 132MU 7,5kW IFT/IE3 B3 230D/380Y/400Y/415Y-460Y 50-60Hz -



| | |
|-----|--------|
| A | 216 |
| AA | 50 |
| AB | 250 |
| AC | 272.00 |
| AD1 | 45 |
| B | 178 |
| BB | 208 |
| C | 89.0 |
| D | 38k6 |
| E | 80 |
| F | 10 |
| G | 33 |
| GD | 8 |
| H | 132 |
| HA | 15 |
| HJ | 190.0 |
| I | 63 |
| II | 63 |
| J | 126 |
| K | 12 |
| L | 63 |
| LB | 412.0 |
| LJ | 17.0 |
| LO | 10 |
| O | M12 |
| p | 28 |
| rs | 0.5 |
| ts | 2 |
| ts1 | 20 |
| x | 15 |