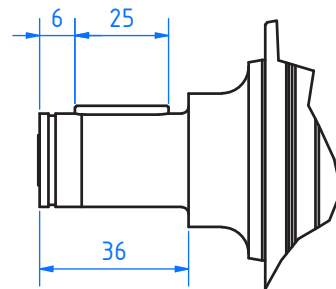
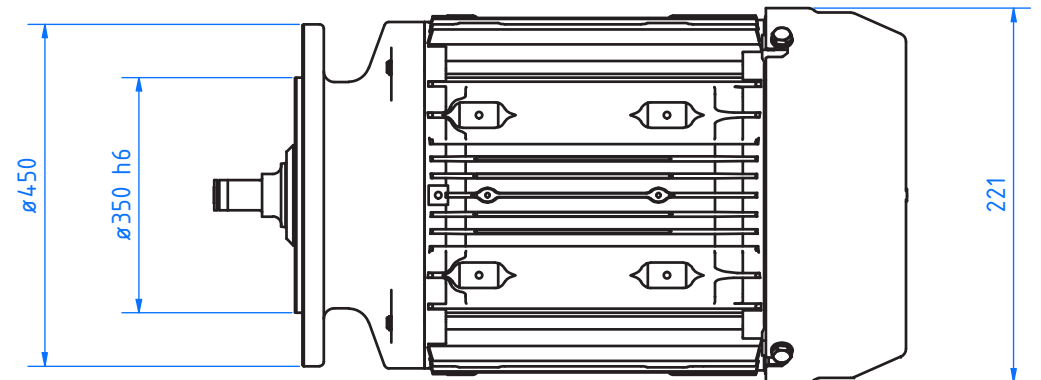


Section J-J

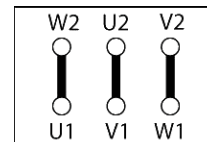


Detail H



Motor specifications			
Power [kW]	7,5	Cos phi [-/-]	0,85
Voltage [V]	400Δ/690Y	Isulation class [-/-]	f
Rated speed [rpm]	1445	IP class [default]	54
Rated current delta/star [A]	14,42/8,32	Torque nominal (Tn) [Nm]	49,6
Current (Is/In) [A]	6,6	Factor (Ts/Tn) [Nm]	2,4
Efficiency at 100% [%]	88,7	Factor (Tk/Tn) [Nm]	2,4
Efficiency at 50% [%]	86,6	Weight [kg]	60

Delta connection (Δ)



Star connection (Y)

