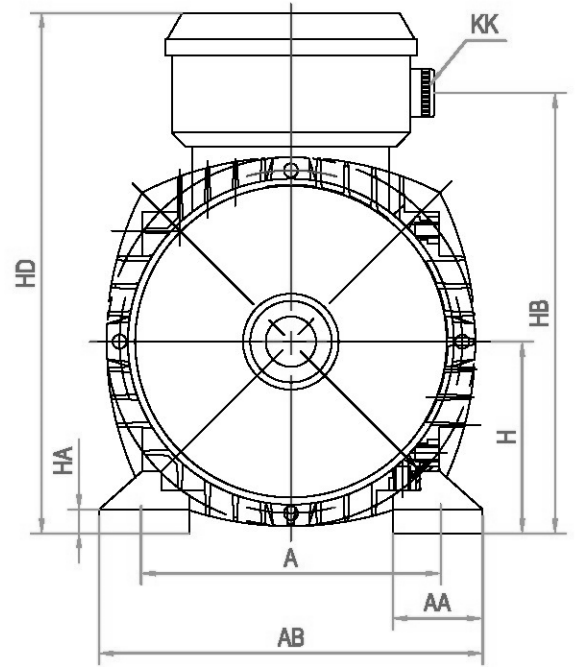
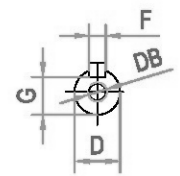
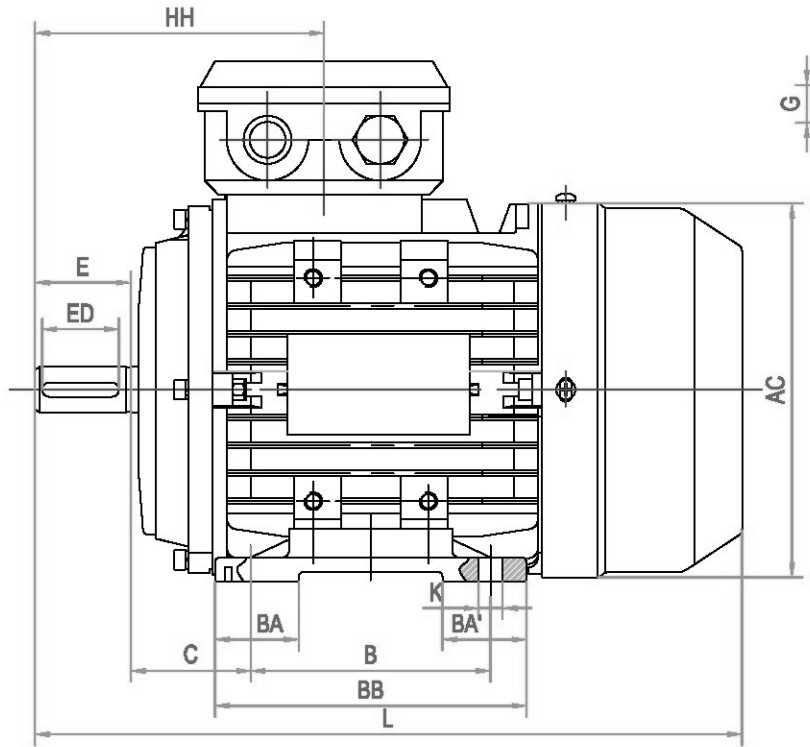


CLIENT:	80	VOLTS	FRAME	KW	RPM
			MS80 1-2	0.75	
			MS80 2-2	1.1	
			MS80 3-2	1.5	
			MS80 1-4	0.55	
			MS80 2-4	0.75	
			MS80 3-4	1.1	
			MS80 1-6	0.37	
			MS80 2-6	0.55	
			MS80 3-6	0.75	
			MS80 1-8	0.18	
			MS80 2-8	0.25	
			MS80 3-8	0.37	
			EMS80 1-2	0.75	
EMS80 2-2	1.1				
EMS80 3-2	1.5				
EMS80 1-4	0.55				
EMS80 2-4	0.75				
EMS80 3-4	1.1				



FOOT-OR-FLANGE-MOUNTING

SHAFT EXT.DE ONLY

WEIGHT(kg)

A	AA	AB	AC	B	BA	BA'	BB	C	H	HA	HB	HD	HH	K	KK	L	D	DB	E	ED	F	G														
125	35	160	Ø165	100	35	35	130	50	80	10	183	217	120.5	10X13	1-M20X1.5	295	Ø19	M6X16	40	32	6	15.5														

CUSTOMER APPROVAL

SIGNATURE

DATE

80 B3

DIMENSION OUTLINE



DATE		CHECKED BY	
DESIGNED BY		APPROVED BY	
ISSUE	DATE	CERTIFIED BY	
ISSUE	DATE	CERTIFIED BY	
ISSUE	DATE	CERTIFIED BY	
ISSUE	DATE	CERTIFIED BY	