



Manufacturer

Customer

VEM motors GmbH - Werk Wernigerode
Carl-Friedrich-Gauß-Straße 1

38855 WERNIGERODE
Deutschland

Three-phase motors with squirrel cage rotor,
Housing grey cast iron

Type	IE3-W43R 132 M4	HW	
Design output	(kW)	7,5	
Design torque	(Nm)	49	
Class IE	[-]	IE3-90,5%	
Efficiency determination		EN 60034-2-1	
Duty type		S1	
Design frequency	(Hz)	50	
Design speed	[rpm]	1470	
Voltage	(V)	230/400	
Connection	[-]	D	Y
Current	[A]	27.8	16.0
Relative pull-in current	[-]	7,6	
Relative starting torque	[-]	3	
Relative pull-up torque	[-]	2,6	
Relative pull-out torque	[-]	3,9	
Efficiency100/75/50 %	[%]		90,5 / 90,5 / 89,2
Power factor	[-]	0,75	
Th. cl.		155(F/B)	
Coolant temperature	(°C)	-20°C...+40°C	
Altitude above sea level	(m)	1000m	
Degree of protection IP		IP56	
Moment of inertia	(kgm ²)	0,035	
Motor weight	(kg)	88	
Bearing, D-side		6308 ZZ C3	
Bearing, N-side		6308 ZZ C3	
Relubrication interval	(h)		
Grease type		ASONIC GHY 72	
Grease amount	[cm ³]		
A-sound pressure level	(dB)	60	

Options

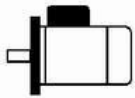
Type of mounting	IMB5
Flange	FF 265[A 300]
Terminal box	Standard
Position of terminal box	on the top
Cable gland	Sealing plug
Position of cable entry	right
Shaft	Standard, 1 shaft end
Bearing	Easy bearing arrangement
Special details to bearings	Fixed bearing, N-side
Limit values to vibration velocity	Class A
Colour system	Balancing with half key
Delivery conditions and/or official regulations:	01 Moderate (KK C2),RAL 7031 blue-grey IEC / EN 60034-1

This document was produced electronically, all specifications are valid only after confirmation of the manufacturer

Three-phase motors with squirrel cage rotor,
Housing grey cast iron

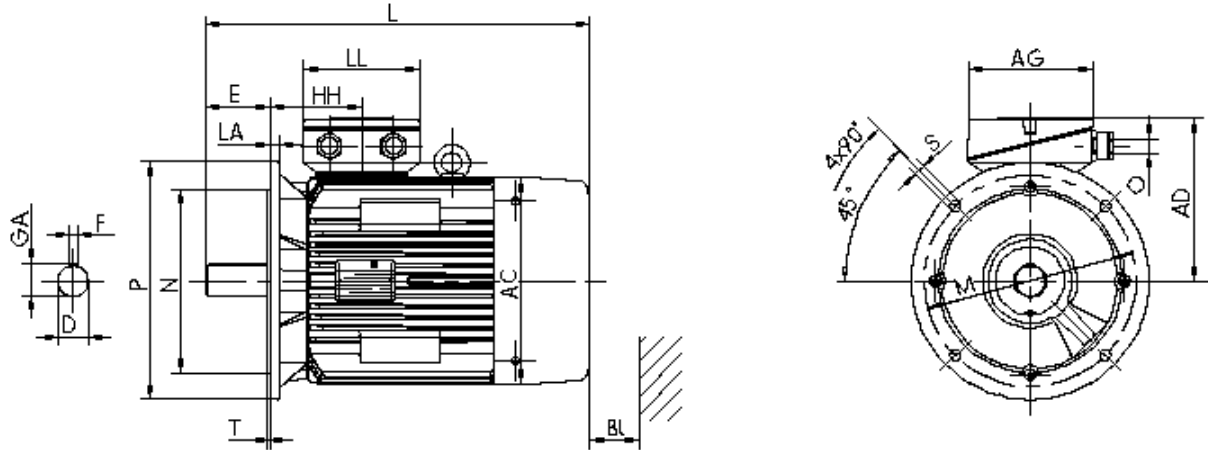
IE3-W43R 132 M4 HW

Mounting position



Type of mounting: IMB5
Flange: FF 265[A 300]
Position of terminal box: on the top
Brake type:
Forced-ventilation:

Terminal box: KK 25 A
Cable gland O: 1 xSealing plug



Motor

A	AA	AB	AC	AD	B	B'	BA	BA'	BB	C	CA	K	K'	
-	-	-	258	199	-	-	-	-	-	-	-	-	-	
											Protection cover		Terminal box	
L	LC	H	HA	HD	HH	BI		L		AG	LL	BE	AH	
529	-	132	-	-	114	40		-		156	145	-	-	

Flange

P	N	LA	M	T	S			Tolerances		H	N	D	DA
300	230	12	265	4	14					-0,5	j6	k6	k6

Shaft-DS

D	E	GA	F	DB
38	80	41	10	DIN 332 DS- M12

Shaft-NS

DA	EA	GC	FA
-	-	-	-

DB...Centre hole

Delivery conditions and/or official regulations: IEC / EN 60034-1

This document was produced electronically, all specifications are valid only after confirmation of the manufacturer