

# Dimensional sheet / Dimensions



14.12.2021 MADE WITH VEM EKAT 2021 / ELABORÉ AVEC LE CATALOGUE VEM EKAT 2021

Manufacturer / Fabricant

Customer / Client

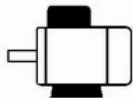
**VEM motors GmbH - Werk Wernigerode**  
**Carl-Friedrich-Gauß-Straße 1**

**38855 WERNIGERODE**  
**Deutschland**

Three-phase motors with squirrel cage rotor,  
 Housing grey cast iron / *Moteurs triphasés à cage, fonte grise*

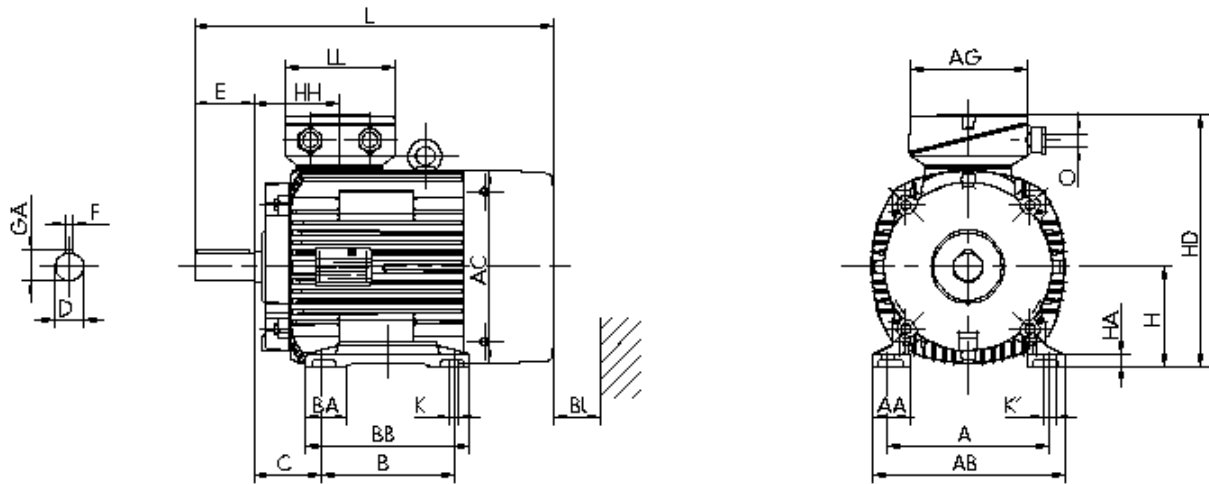
**IE3-W43R 225 S4 NS LL HW**

**Mounting position /**  
*Position de montage*



Type of mounting: / *Forme de construction:* IM B3  
 Flange: / *Bride:* -  
 Position of terminal box / *Position de la boîte à bornes*  
 : on the top / *sur le dessus*  
 Brake type: / *Frein:*  
 Forced-ventilation: / *Ventilation forcée*

Terminal box / *Boîte à bornes:* KK 100 A  
 Cable gland / *Presse-étoupe* O: 1 x Sealing plug / *Bouchon*



**Motor / Moteur**

|  |           |           |           |                 |           |           |                            |            |           |           |           |          |                                |
|--|-----------|-----------|-----------|-----------------|-----------|-----------|----------------------------|------------|-----------|-----------|-----------|----------|--------------------------------|
| <b>A</b>                                 | <b>AA</b> | <b>AB</b> | <b>AC</b> | <b>AD</b>       | <b>B</b>  | <b>B'</b> | <b>BA</b>                  | <b>BA'</b> | <b>BB</b> | <b>C</b>  | <b>CA</b> | <b>K</b> | <b>K'</b>                      |
| 356                                      | 75        | 413       | 390       | -               | 286       |           | 75                         | -          | 343       | 149       | -         | 19       | 25                             |
| <b>Protection cover / Tôle parapluie</b> |           |           |           |                 |           |           |                            |            |           |           |           |          | <b>Terminal box / Boîte</b>    |
| <b>L</b>                                 | <b>LC</b> | <b>H</b>  | <b>HA</b> | <b>HD</b>       | <b>HH</b> | <b>BI</b> | <b>L</b>                   | <b>AG</b>  | <b>LL</b> | <b>BE</b> | <b>AH</b> |          |                                |
| 847                                      | -         | 225       | 25        | 527             | 168       | 90        | -                          | 213        | 207       | -         | -         |          |                                |
| <b>Flange / bride</b>                    |           |           |           |                 |           |           |                            |            |           |           |           |          | <b>Tolerances / Tolérances</b> |
| <b>P / P</b>                             | <b>N</b>  | <b>LA</b> | <b>M</b>  | <b>T</b>        | <b>S</b>  |           | <b>H</b>                   | <b>N</b>   | <b>D</b>  | <b>DA</b> |           |          |                                |
| -  | -         | -         | -         | -               | -         |           | -0,5                       | h6         | m6        | m6        |           |          |                                |
| <b>Shaft-DS / arbre-DS</b>               |           |           |           |                 |           |           | <b>Shaft-NS / arbre-NS</b> |            |           |           |           |          |                                |
| <b>D</b>                                 | <b>E</b>  | <b>GA</b> | <b>F</b>  | <b>DB</b>       |           | <b>DA</b> | <b>EA</b>                  | <b>GC</b>  | <b>FA</b> |           |           |          |                                |
| 60                                       | 140       | 64        | 18        | DIN 332 DS- M20 |           | -         | -                          | -          | -         |           |           |          |                                |

**DB...Centre hole / Orifice de centrage**

Delivery conditions and/or official regulations: / *Conditions de livraison et/ou instructions officielles* IEC / EN 60034-1

This document was produced electronically, all specifications are valid only after confirmation of the manufacturer / *Document électronique, données valides uniquement après confirmation par le constructeur*