



Manufacturer

Customer

VEM motors GmbH - Werk Zwickau
Äußere Dresdner Str. 35

08066 ZWICKAU
Deutschland

Three-phase motors with squirrel cage rotor,
Housing grey cast iron

Type	IE3-W41R 80 G4		
Design output	(kW)	0,75	
Design torque	(Nm)	5	
Class IE	[-]	IE3-82,5%	
Efficiency determination		EN 60034-2-1	
Duty type		S1	
Design frequency	(Hz)	50	
Design speed	[rpm]	1445	
Voltage	(V)	230/400	
Connection	[-]	D	Y
Current	[A]	2.96	1.70
Relative pull-in current	[-]	7	
Relative starting torque	[-]	3,1	
Relative pull-up torque	[-]	3,1	
Relative pull-out torque	[-]	3,7	
Efficiency100/75/50 %	[%]		82,5 / 82,3 / 79,6
Power factor	[-]	0,77	
Th. cl.		155(F/B)	
Coolant temperature	(°C)	-20°C...+40°C	
Altitude above sea level	(m)	1000m	
Degree of protection IP		IP56	
Moment of inertia	(kgm ²)	0,0026	
Motor weight	(kg)	17	
Bearing, D-side		6205 2Z C3	
Bearing, N-side		6205 2Z C3	
Relubrication interval	(h)		
Grease type		Asonic GLY 32	
Grease amount	[cm ³]		
A-sound pressure level	(dB)	a.A.	

Options

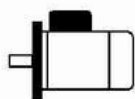
Type of mounting	IMB5
Flange	FF 165[A 200]
Terminal box	Standard
Position of terminal box	on the top
Cable gland	Sealing plug
Position of cable entry	right
Shaft	Standard, 1 shaft end
Bearing	Easy bearing arrangement
Limit values to vibration velocity	Class A
	Balancing with half key
Colour system	01 Moderate (KK C2),RAL 7031 blue-grey
Delivery conditions and/or official regulations:	IEC / EN 60034-1

This document was produced electronically, all specifications are valid only after confirmation of the manufacturer

Three-phase motors with squirrel cage rotor,
Housing grey cast iron

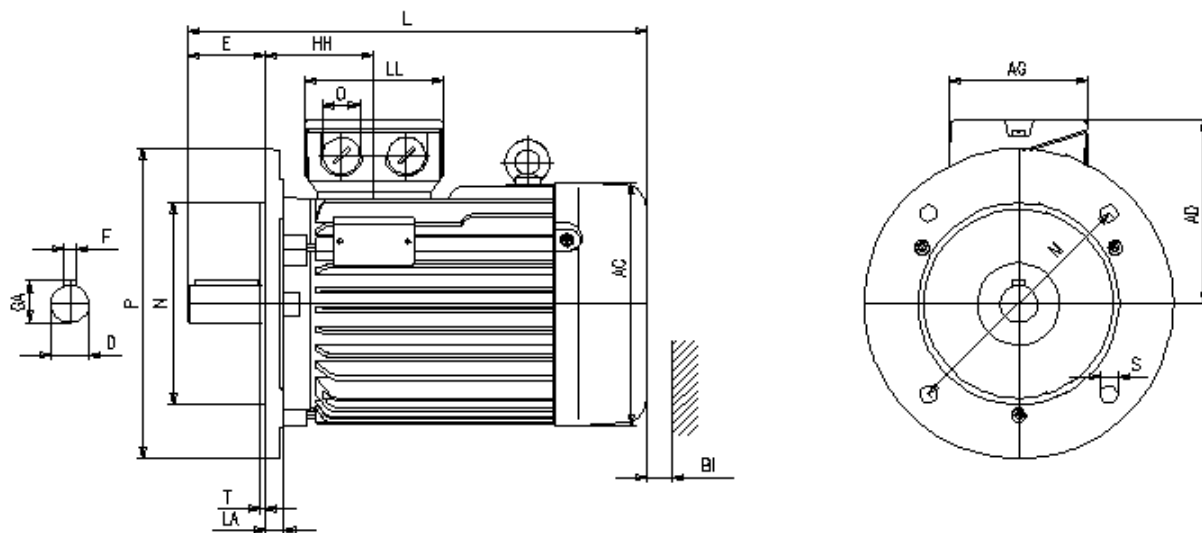
IE3-W41R 80 G4

Mounting position



Type of mounting: IMB5
Flange: FF 165[A 200]
Position of terminal box: on the top
Brake type:
Forced-ventilation:

Terminal box: KA 05
Cable gland O: 1 xSealing plug



Motor

A	AA	AB	AC	AD	B	B'	BA	BA'	BB	C	CA	K	K'
-	-	-	157	120	-	-	-	-	-	-	-	-	-
L	LC	H	HA	HD	HH	BI	Protection cover		AG	LL	Terminal box		
287	-	80	-	-	70	16	L	-	92	92	BE	AH	

Flange

P	N	LA	M	T	S	Tolerances		H	N	D	DA
200	130	10	165	3,5	11	-	-	-0,5	j6	k6	k6

Shaft-DS

D	E	GA	F	DB
19	40	21,5	6	DIN 332 DS - M6

Shaft-NS

DA	EA	GC	FA
-	-	-	-

DB...Centre hole

Delivery conditions and/or official regulations: IEC / EN 60034-1

This document was produced electronically, all specifications are valid only after confirmation of the manufacturer