



Manufacturer

Customer

**VEM motors GmbH - Werk Wernigerode**  
**Carl-Friedrich-Gauß-Straße 1**

**38855 WERNIGERODE**  
**Deutschland**

**Three-phase motors with squirrel cage rotor,**  
**Housing grey cast iron**

Type	IE3-W43R 250 M4	TPM VL HW
Design output	( kW )	55
Design torque	( Nm )	354
Class IE	[ - ]	IE3-94,6%
Efficiency determination		EN 60034-2-1
Duty type		S1
Design frequency	( Hz )	50
Design speed	[rpm]	1482
Voltage	( V )	500
Connection	[ - ]	Y
Current	[ A ]	83.2
Relative pull-in current	[ - ]	7,6
Relative starting torque	[ - ]	2,7
Relative pull-up torque	[ - ]	1,9
Relative pull-out torque	[ - ]	2,6
Efficiency100/75/50 %	[ % ]	94,6 / 94,9 / 94,4
Power factor	[ - ]	0,81
Th. cl.		155(F/B)
Coolant temperature	( °C )	-20°C...+40°C
Altitude above sea level	( m )	1000m
Degree of protection IP		IP55
Moment of inertia	( kgm <sup>2</sup> )	0,619
Motor weight	( kg )	435
Bearing, D-side		NU 314 E
Bearing, N-side		6313 C3
Relubrication interval	( h )	
Grease type		ASONIC GHY 72
Grease amount	[cm <sup>3</sup> ]	
A-sound pressure level	( dB )	68

**Options**

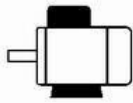
Type of mounting	IM B3
Flange	-
Terminal box	Standard
Position of terminal box	on the top
Cable gland	Sealing plug
Position of cable entry	right
Shaft	Standard, 1 shaft end
Bearing	Heavy bearing arrangement D-side
Special details to bearings	Fixed bearing, N-side
Winding protection	1 set ptc resistors
Limit values to vibration velocity	Class A
Colour system	Balancing with half key
Delivery conditions and/or official regulations:	01 Moderate (KK C2),RAL 7031 blue-grey IEC / EN 60034-1

This document was produced electronically, all specifications are valid only after confirmation of the manufacturer

Three-phase motors with squirrel cage rotor,  
Housing grey cast iron

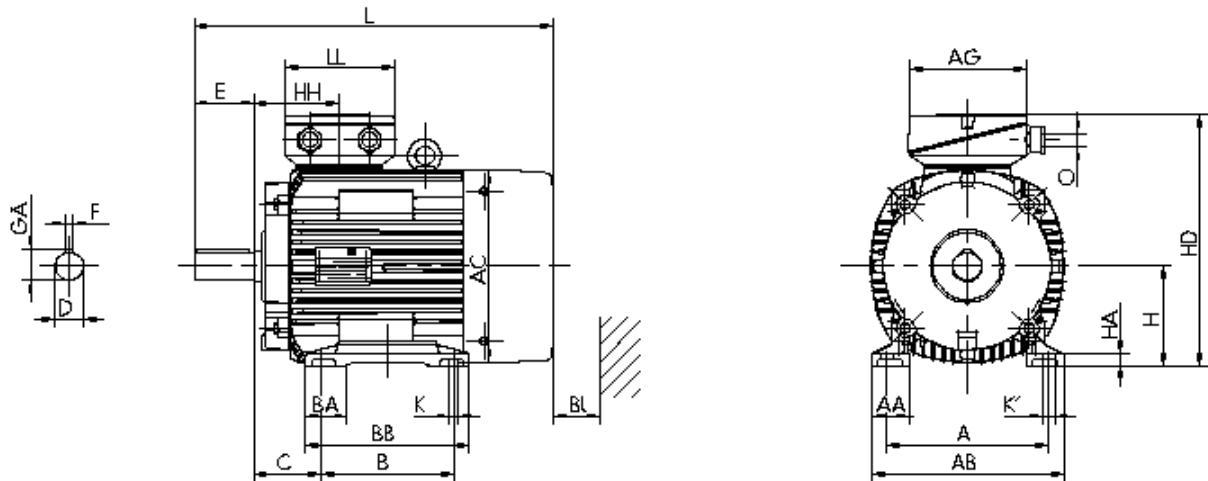
## IE3-W43R 250 M4 TPM VL HW

### Mounting position



Type of mounting: IM B3  
Flange: -  
Position of terminal box: on the top  
Brake type:  
Forced-ventilation:

Terminal box: KK 200/100 A  
Cable gland O: 1 x Sealing plug



### Motor

A	AA	AB	AC	AD	B	B'	BA	BA'	BB	C	CA	K	K'		
406	84	471	440	-	349		84	-	412	168	-	24	30		
												<b>Protection cover</b>		<b>Terminal box</b>	
L	LC	H	HA	HD	HH	BI	L	AG	LL	BE	AH				
912	-	250	28	612	177	90	-	282	242	-	-				

### Flange

P	N	LA	M	T	S								
-	-	-	-	-	-								

### Tolerances

H	N	D	DA
-0,5	h6	m6	m6

### Shaft-DS

D	E	GA	F	DB
65	140	69	18	DIN 332 DS- M20

### Shaft-NS

DA	EA	GC	FA
-	-	-	-

### DB...Centre hole

Delivery conditions and/or official regulations: IEC / EN 60034-1

This document was produced electronically, all specifications are valid only after confirmation of the manufacturer