



Manufacturer

Customer

VEM motors GmbH - Werk Zwickau
Äußere Dresdner Str. 35

08066 ZWICKAU
Deutschland

Three-phase motors with squirrel cage rotor,
Housing grey cast iron

Type	IE3-W41R 90 LX4	
Design output	(kW)	1,5
Design torque	(Nm)	9,8
Class IE	[-]	IE3-85,3%
Efficiency determination		EN 60034-2-1
Duty type		S1
Design frequency	(Hz)	50
Design speed	[rpm]	1455
Voltage	(V)	500
Connection	[-]	D
Current	[A]	2.72
Relative pull-in current	[-]	9,5
Relative starting torque	[-]	4,5
Relative pull-up torque	[-]	3,8
Relative pull-out torque	[-]	4,9
Efficiency100/75/50 %	[%]	85,3 / 84 / 80,6
Power factor	[-]	0,75
Th. cl.		180(H)
Coolant temperature	(°C)	-20°C...+40°C
Altitude above sea level	(m)	1000m
Degree of protection IP		IP56
Moment of inertia	(kgm ²)	0,0058
Motor weight	(kg)	31
Bearing, D-side		6205 2Z C3
Bearing, N-side		6205 2Z C3
Relubrication interval	(h)	
Grease type		Asonic GLY 32
Grease amount	[cm ³]	

Options

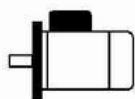
Type of mounting	IMB5
Flange	FF 165[A 200]
Terminal box	Standard
Position of terminal box	on the top
Cable gland	Sealing plug
Position of cable entry	right
Shaft	Standard, 1 shaft end
Bearing	Easy bearing arrangement
Limit values to vibration velocity	Class A
Colour system	Balancing with half key
Delivery conditions and/or official regulations:	01 Moderate (KK C2),RAL 7031 blue-grey IEC / EN 60034-1

This document was produced electronically, all specifications are valid only after confirmation of the manufacturer

Three-phase motors with squirrel cage rotor,
Housing grey cast iron

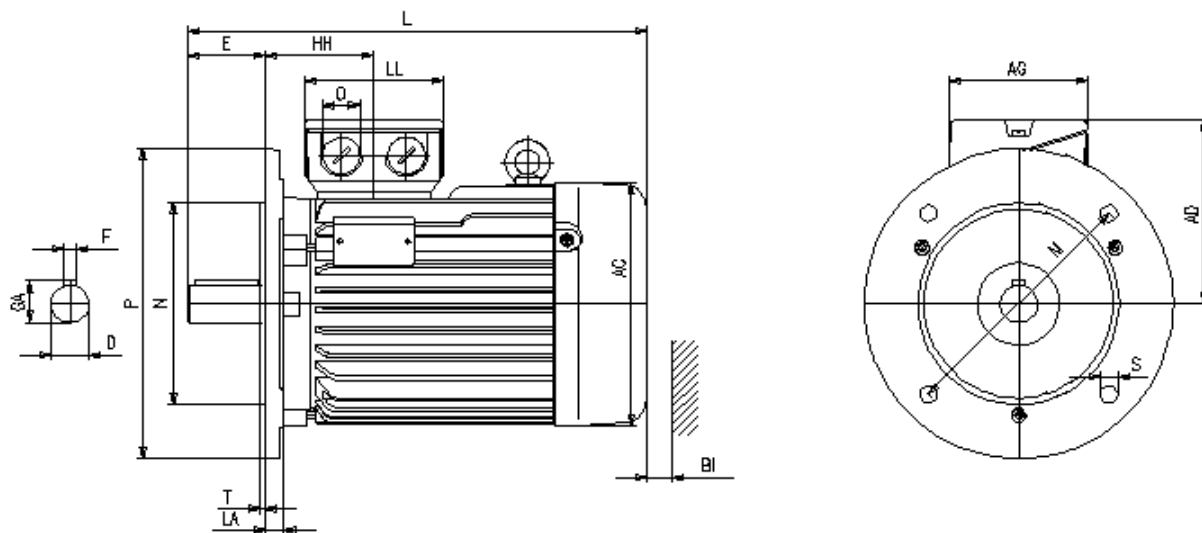
IE3-W41R 90 LX4

Mounting position



Type of mounting: IMB5
Flange: FF 165[A 200]
Position of terminal box: on the top
Brake type:
Forced-ventilation:

Terminal box: KA 05
Cable gland O: 1 xSealing plug



Motor

A	AA	AB	AC	AD	B	B'	BA	BA'	BB	C	CA	K	K'	
-	-	-	177	127	-	-	-	-	-	-	-	-	-	
											Protection cover		Terminal box	
L	LC	H	HA	HD	HH	BI				AG	LL	BE	AH	
415	-	90	-	-	153	18				92	92	-	-	

Flange

P	N	LA	M	T	S			Tolerances					
200	130	10	165	3,5	11			H	N	D	DA		
								-0,5	j6	k6	k6		

Shaft-DS

D	E	GA	F	DB				
24	50	27	8	DIN 332 DS - M8				

Shaft-NS

DA	EA	GC	FA
-	-	-	-

DB...Centre hole

Delivery conditions and/or official regulations: IEC / EN 60034-1

This document was produced electronically, all specifications are valid only after confirmation of the manufacturer