



Manufacturer

Customer

**VEM motors GmbH - Werk Zwickau**  
**Äußere Dresdner Str. 35**

**08066 ZWICKAU**  
**Deutschland**

**Three-phase motors with squirrel cage rotor, standard motors, pole-changing, two speeds constant loading torque**

Type	K21R 80 G 4-2	
Number of poles	[-]	4
Design output	( kW )	0,7
Duty type		S1
Efficiency determination	[-]	EN 60034-2
Design frequency	( Hz )	50
Design speed	[rpm]	1400
Design voltage	( V )	230
Connection	[-]	D/YY
Design current	[ A ]	3,48
Relative pull-in current	[-]	3,7
Relative starting torque	[-]	1,6
Relative pull-up torque	[-]	1,6
Relative pull-out torque	[-]	1,8
Power factor	[-]	0,75
Efficiency	[ % ]	67,5
Th. cl.		155(F)
Coolant temperature	( °C )	-20°C...+40°C
Altitude above sea level	( m )	1000m
Degree of protection IP		IP65
Moment of inertia	( kgm <sup>2</sup> )	0,00107
Motor weight	( kg )	11,7
Bearing, D-side		6204 2Z C3
Bearing, N-side		6204 2Z C3
Relubrication interval	( h )	
Grease type		Asonic GLY 32
Grease amount	( g )	

**Options**

Type of mounting	IM B14
Flange	FT 100[C 120]
Terminal box	Standard
Position of terminal box	on the top
Cable gland	Sealing plug
Position of cable entry	right
Shaft	Standard, 1 shaftend
Bearing	Easy bearing arrangement
Limit values to vibration velocity	Class A
	Balancing with half key
Colour system	01 Moderate (KK C2),RAL 7031 blue-grey
Delivery conditions and/or official regulations:	IEC / EN 60034-1

This document was produced electronically, all specifications are valid only after confirmation of the manufacturer

Three-phase motors with squirrel cage rotor, standard motors, pole-changing, two speeds constant loading torque

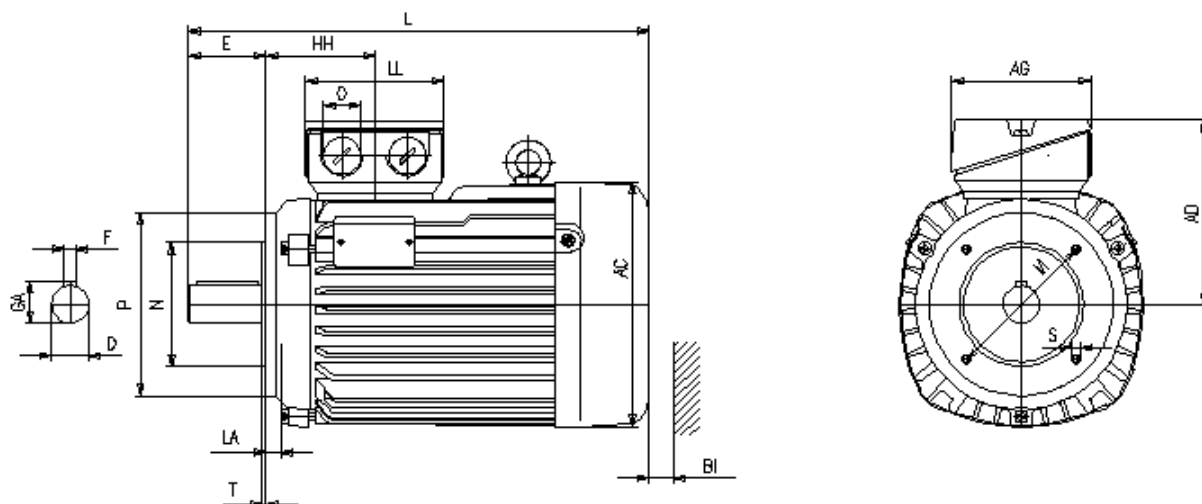
## K21R 80 G 4-2

### Mounting position



Type of mounting: IM B14  
 Flange: FT 100[C 120]  
 Position of terminal box: on the top  
 Brake type:  
 Forced-ventilation:

Terminal box: KA 05  
 Cable gland O: 2 xSealing plug



### Motor

A	AA	AB	AC	AD	B	B'	BA	BA'	BB	C	CA	K	K'
-	-	-	139	111	-	-	-	-	-	-	-	-	-
L	LC	H	HA	HD	HH	BI	Protection cover				Terminal box		
249	-	80	-	-	67	16	L	AG	LL	BE	AH	-	-
								92	92	-	-		

### Flange

P	N	LA	M	T	S	Tolerances			
120	80	8	100	3	M6	H	N	D	DA
						-0,5	j6	k6	k6

### Shaft-DS

D	E	GA	F	DB
19	40	21,5	6	DIN 332 - DS M6

### Shaft-NS

DA	EA	GC	FA
-	-	-	-

### DB...Centre hole

Delivery conditions and/or official regulations: IEC / EN 60034-1

This document was produced electronically, all specifications are valid only after confirmation of the manufacturer