



Manufacturer

Customer

VEM motors GmbH - Werk Wernigerode
Carl-Friedrich-Gauß-Straße 1

38855 WERNIGERODE
Deutschland

Three-phase motors with squirrel cage rotor,
Housing grey cast iron

Type	IE3-W43R 225 M4	TPM NS VL SPM HW
Design output	(kW)	45
Design torque	(Nm)	291
Class IE	[-]	IE3-94,3%
Efficiency determination		EN 60034-2-1
Duty type		S1
Design frequency	(Hz)	50
Design speed	[rpm]	1475
Voltage	(V)	500
Connection	[-]	D
Current	[A]	66.4
Relative pull-in current	[-]	7,2
Relative starting torque	[-]	2,5
Relative pull-up torque	[-]	2
Relative pull-out torque	[-]	2,4
Efficiency100/75/50 %	[%]	94,3 / 94,8 / 94,7
Power factor	[-]	0,83
Th. cl.		155(F/B)
Coolant temperature	(°C)	-20°C...+40°C
Altitude above sea level	(m)	1000m
Degree of protection IP		IP66
Moment of inertia	(kgm ²)	0,525
Motor weight	(kg)	377
Bearing, D-side		NU 314 E
Bearing, N-side		6313 C3
Relubrication interval	(h)	4000
Grease type		ASONIC GHY 72
Grease amount	[cm ³]	41/35
A-sound pressure level	(dB)	66

Options

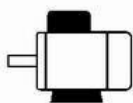
Type of mounting	IM B3
Flange	-
Terminal box	Standard
Position of terminal box	on the top
Cable gland	Sealing plug
Position of cable entry	right
Shaft	Standard, 1 shaft end
Bearing	Relubrication device, heavy bearing arrangement
Special details to bearings	Fixed bearing, N-side
nipple)	Design version with SPM (vibration meas.) bearing monitoring (prep. with
Winding protection	1 set ptc resistors
Limit values to vibration velocity	Class A
	Balancing with half key
Colour system	01 Moderate (KK C2),RAL 7031 blue-grey
Delivery conditions and/or official regulations:	IEC / EN 60034-1

This document was produced electronically, all specifications are valid only after confirmation of the manufacturer

Three-phase motors with squirrel cage rotor,
Housing grey cast iron

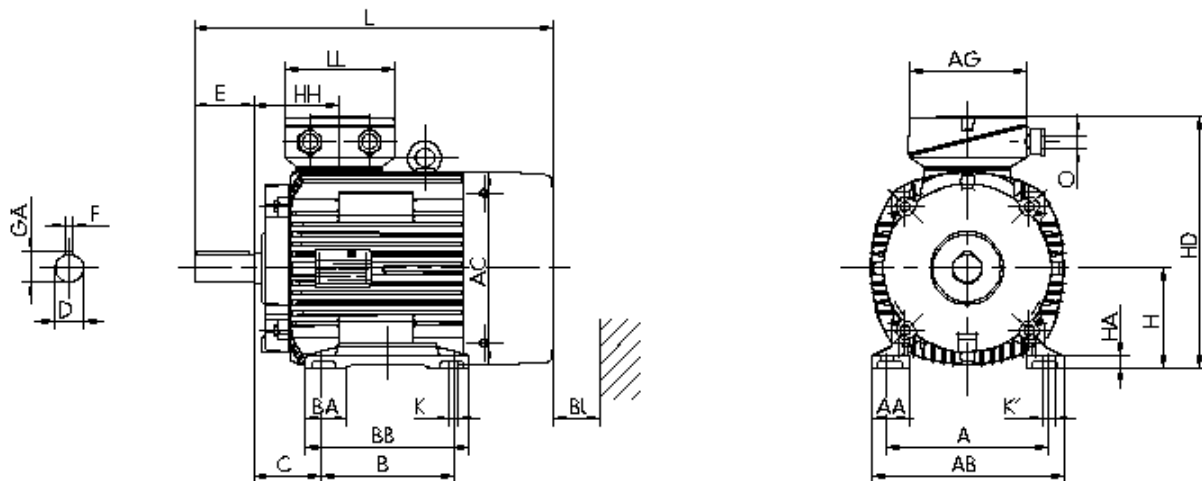
IE3-W43R 225 M4 TPM NS VL SPM HW

Mounting position



Type of mounting: IM B3
Flange: -
Position of terminal box: on the top
Brake type:
Forced-ventilation:

Terminal box: KK 100 A
Cable gland O: 1 xSealing plug



Motor

A	AA	AB	AC	AD	B	B'	BA	BA'	BB	C	CA	K	K'
356	75	413	440	-	311		75	-	368	149	-	19	25
Protection cover													Terminal box
L	LC	H	HA	HD	HH	BI	L	AG	LL	BE	AH		
862	-	225	25	551	177	90	-	213	207	-	-		

Flange

P	N	LA	M	T	S	Tolerances							
-	-	-	-	-	-	H	N	D	DA				
						-0,5	h6	m6	m6				

Shaft-DS

D	E	GA	F	DB
60	140	64	18	DIN 332 DS- M20

Shaft-NS

DA	EA	GC	FA
-	-	-	-

DB...Centre hole

Delivery conditions and/or official regulations: IEC / EN 60034-1

This document was produced electronically, all specifications are valid only after confirmation of the manufacturer