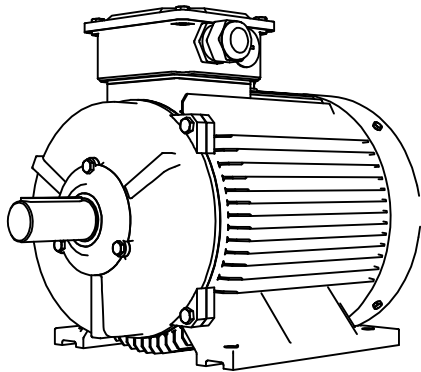
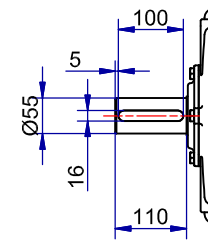


Shaft detail



01-IP55-Cast Iron-IE3-200L B3-2_4