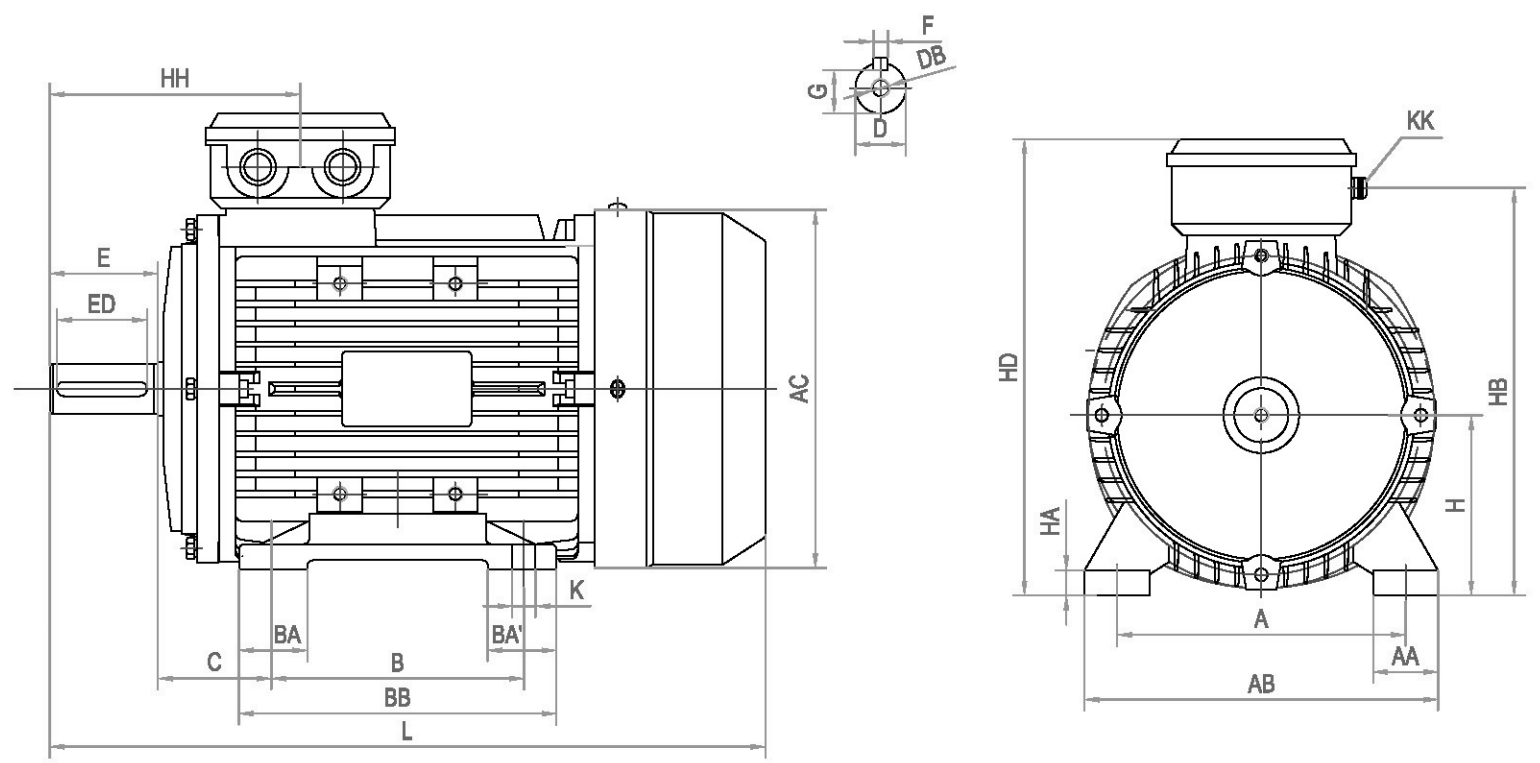


CLIENT:	FRAME	VOLTS	100	KW	RPM	FRAME	KW
						MS100L1-2	3
						MS100L2-2	4
						MS100L1-4	2.2
						MS100L2-4	3
						MS100L3-4	4
						MS100L-6	1.5
						MS100L1-8	0.75
						MS100L2-8	1.1
						EMS100L1-2	3
EMS100L2-2	4						
EMS100L1-4	2.2						
EMS100L2-4	3						
EMS100L3-4	4						
EMS100L-6	1.5						



FOOT-OR-FLANGE-MOUNTING

SHAFT EXT.DE ONLY

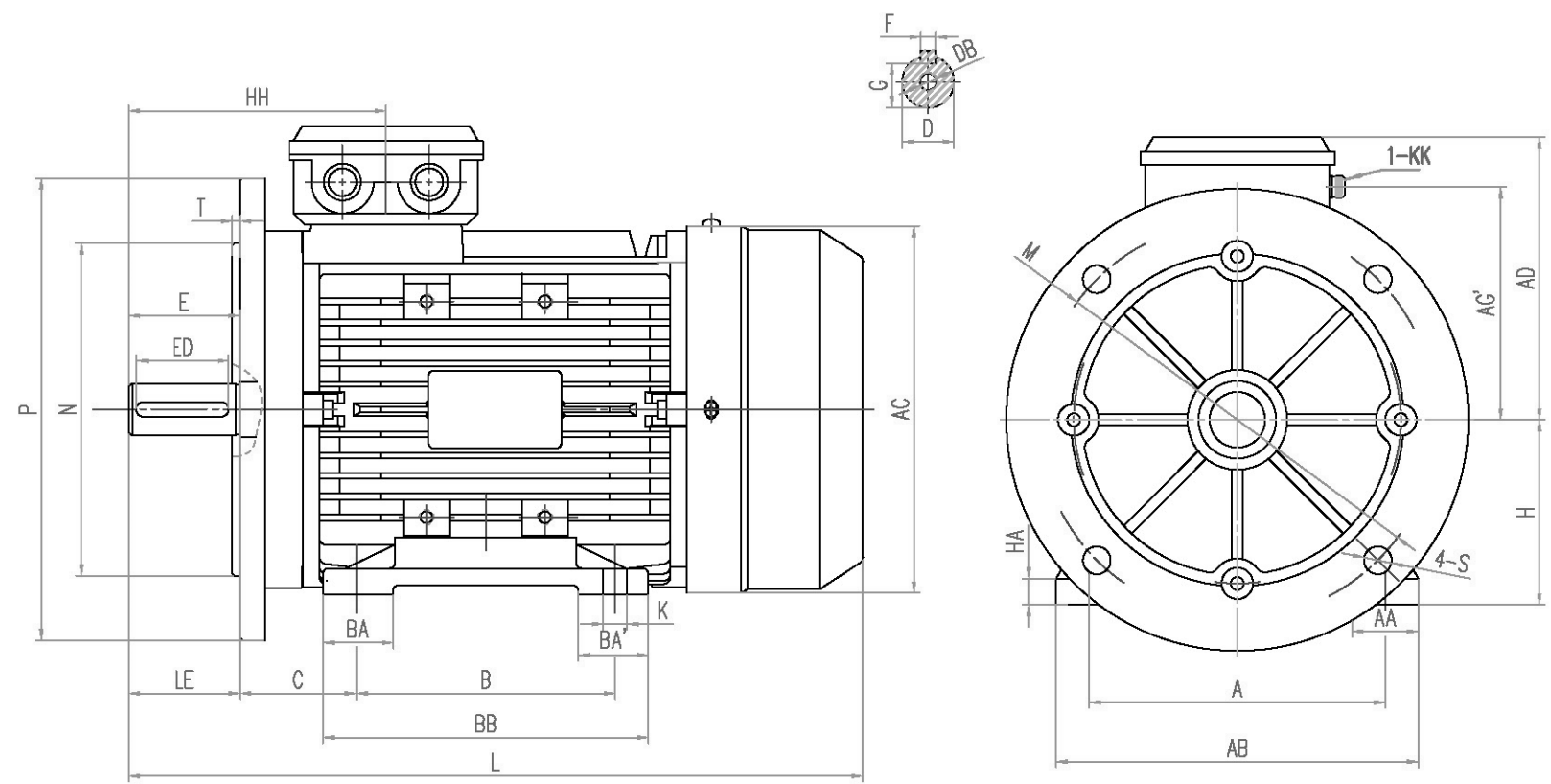
WEIGHT(kg)

A	AA	AB	AC	B	BA	BA'	BB	C	H	HA	HB	HD	HH	K	KK	L	D	DB	E	ED	F	G										
160	50	198	Ø205	140	42	42	176	63	100	14	222	252	139	12X16	1-M20X1.5	400	Ø28	M10X22	60	50	8	24										

100 B3		DATE	CHECKED BY	
		DESIGNED BY	APPROVED BY	
DIMENSION OUTLINE		ISSUE	DATE	CERTIFIED BY
		ISSUE	DATE	CERTIFIED BY
		ISSUE	DATE	CERTIFIED BY
		ISSUE	DATE	CERTIFIED BY
		ISSUE	DATE	CERTIFIED BY
		ISSUE	DATE	CERTIFIED BY
		ISSUE	DATE	CERTIFIED BY
		ISSUE	DATE	CERTIFIED BY



CLIENT:	100	VOLTS	FRAME	KW	RPM
			MS100L1-2	3	
			MS100L2-2	4	
			MS100L1-4	2.2	
			MS100L2-4	3	
			MS100L3-4	4	
			MS100L-6	1.5	
			MS100L1-8	0.75	
			MS100L2-8	1.1	
			EMS100L1-2	3	
			EMS100L2-2	4	
			EMS100L1-4	2.2	
EMS100L2-4	3				
EMS100L3-4	4				
EMS100L-6	1.5				



OUTLINE DIMENSIONS FLANG MOUNTED MOTORS

SHAFT EXT.DE ONLY

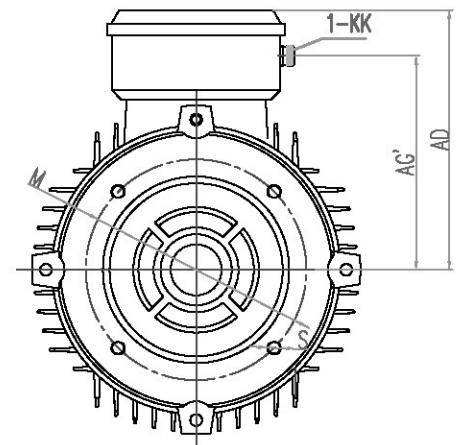
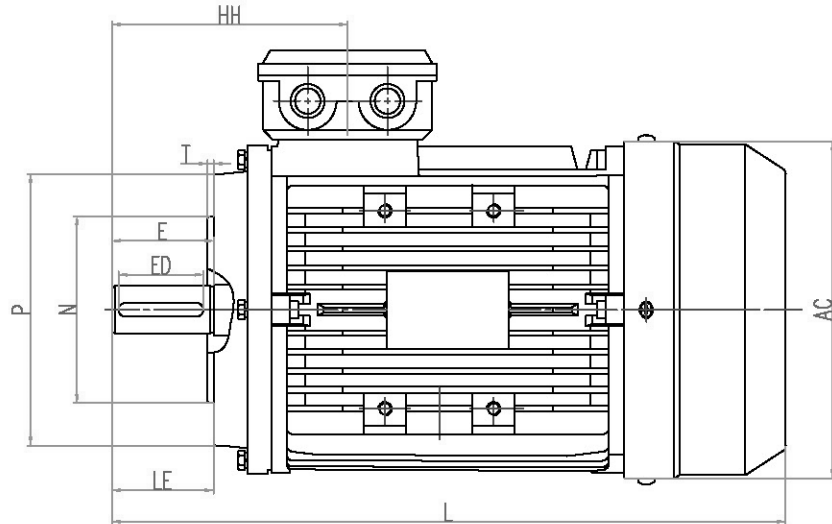
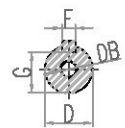
A	AA	AB	AC'	AC	AD	B	BB	BA	BA'	LE	HH	C	H	HA	K	KK	L	M	N	P	S	T	D	DB	E	ED	F	G			
160	50	198	122	φ205	152	140	176	42	42	60	139	63	100	14	12X16	M20X1.5	400	φ215	φ180	φ250	φ15	4	φ28	M10×22	60	50	8	24			

CUSTOMER APPROVAL

\_\_\_\_\_  
SIGNATURE                      DATE

100 B35  DIMENSION OUTLINE  <b>ELECTRAMO®</b>	DATE		CHECKED BY	
	DESIGNED BY		APPROVED BY	
	ISSUE	DATE	CERTIFIED BY	
	ISSUE	DATE	CERTIFIED BY	
	ISSUE	DATE	CERTIFIED BY	
	ISSUE	DATE	CERTIFIED BY	

FRAME	KW
MS100L1-2	3
MS100L2-2	4
MS100L1-4	2.2
MS100L2-4	3
MS100L3-4	4
MS100L-6	1.5
MS100L1-8	0.75
MS100L2-8	1.1
EMS100L1-2	3
EMS100L2-2	4
EMS100L1-4	2.2
EMS100L2-4	3
EMS100L3-4	4
EMS100L-6	1.5



CLIENT:	KW	RPM
	100	
	FRAME	VOLTS

OUTLINE DIMENSIONS FLANGE MOUNTED MOTORS

SHAFT EXT.DE ONLY

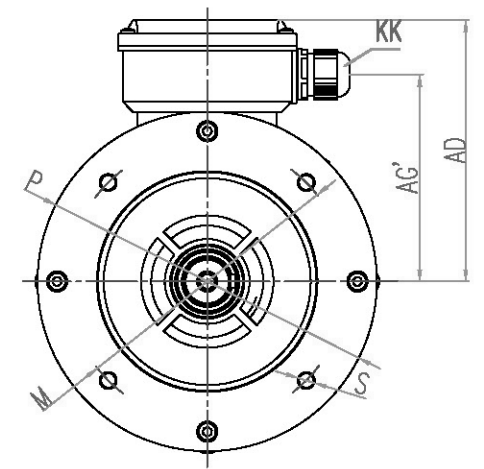
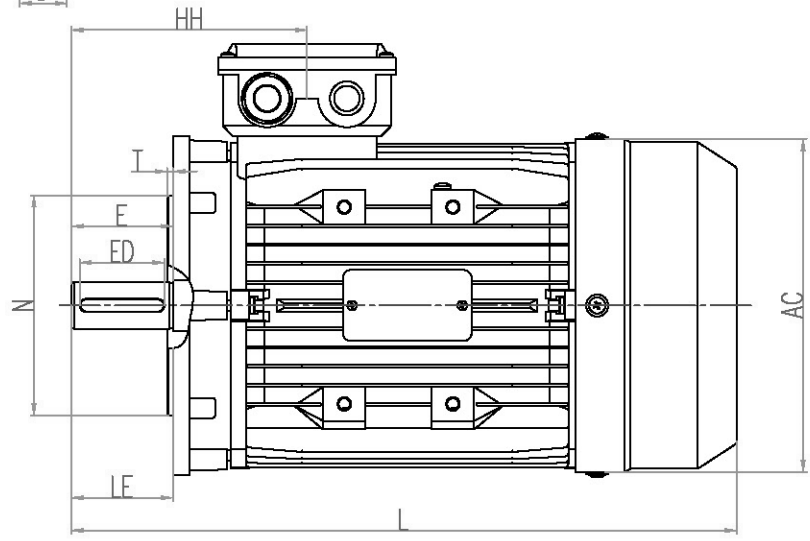
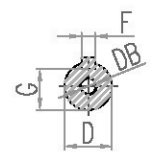
AC	AD	AG'	KK	L	HH	LE	M	N	P	S	T					D	DB	E	ED	F	G								
φ205	152	122	M20X1.5	400	139	60	φ130	φ110	φ160	4-M8	3.5					φ28	M10×22	60	50	8	24								

CUSTOMER APPROVAL \_\_\_\_\_  
 SIGNATURE DATE

100 B14A		DATE	CHECKED BY
DIMENSION OUTLINE		DESIGNED BY	APPROVED BY
ISSUE	DATE	CERTIFIED BY	
ISSUE	DATE	CERTIFIED BY	
ISSUE	DATE	CERTIFIED BY	
ISSUE	DATE	CERTIFIED BY	



FRAME	KW
MS100L1-2	3
MS100L2-2	4
MS100L1-4	2.2
MS100L2-4	3
MS100L3-4	4
MS100L-6	1.5
MS100L1-8	0.75
MS100L2-8	1.1
EMS100L1-2	3
EMS100L2-2	4
EMS100L1-4	2.2
EMS100L2-4	3
EMS100L3-4	4
EMS100L-6	1.5



CLIENT:	KW	RPM
	100	
	FRAME	VOLTS

OUTLINE DIMENSIONS FLANGE MOUNTED MOTORS

SHAFT EXT.DE ONLY

AC	AD	AG'	KK	L	HH	LE			M	N	P	S	T				D	DB	E	ED	F	G									
φ205	152	122	1-M20x1.5	400	139	60			φ160	φ130	φ200	4-M10	3.5				φ28	M10x22	60	50	8	24									

CUSTOMER APPROVAL \_\_\_\_\_  
SIGNATURE DATE

100 B14B  
DIMENSION OUTLINE

DATE		CHECKED BY
DESIGNED BY		APPROVED BY
ISSUE	DATE	CERTIFIED BY
ISSUE	DATE	CERTIFIED BY
ISSUE	DATE	CERTIFIED BY
ISSUE	DATE	CERTIFIED BY

**ELECTRAMO**