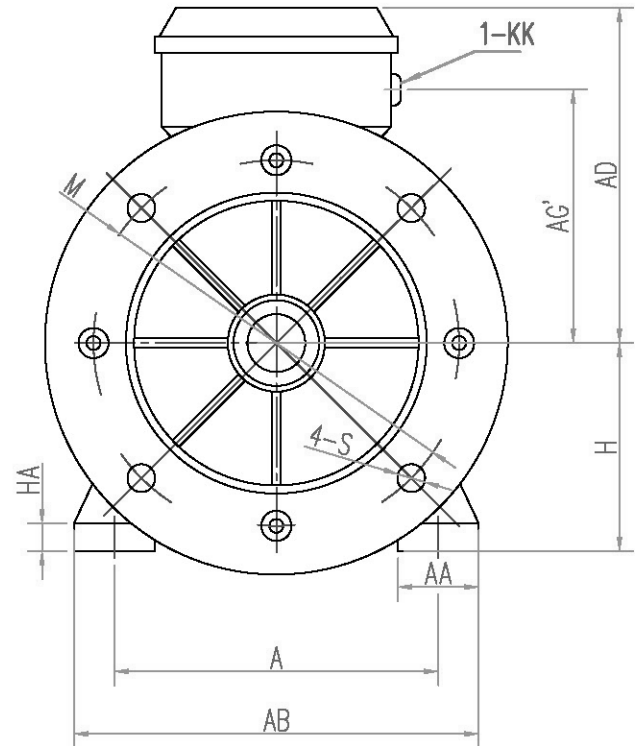
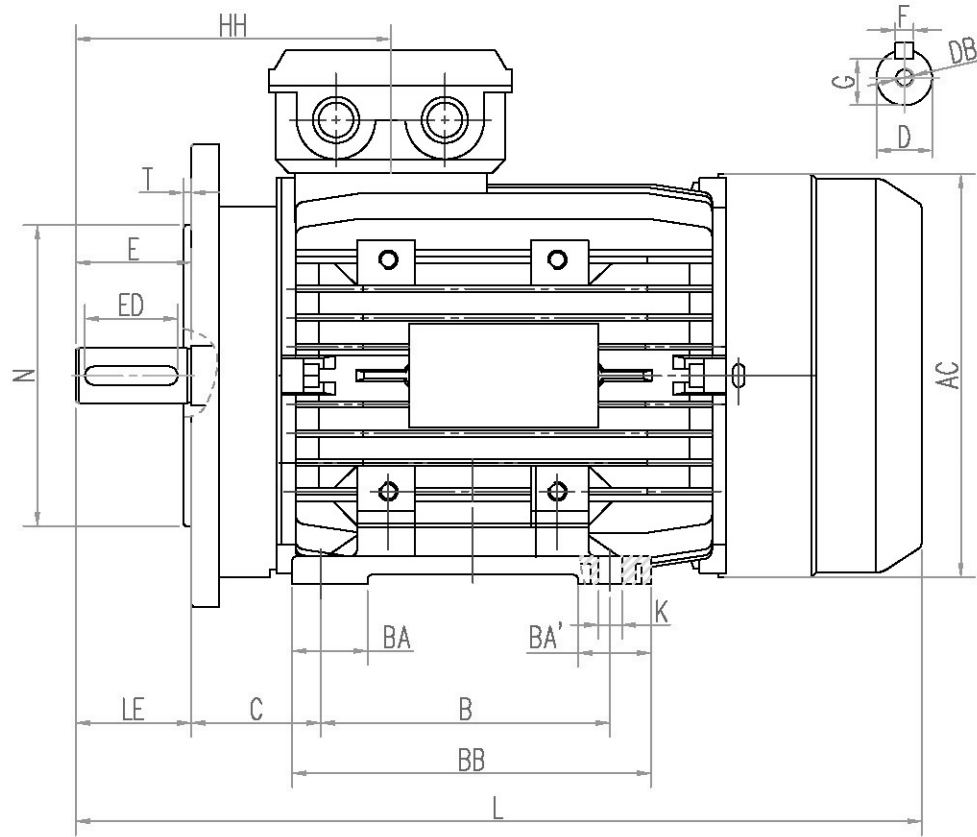






	FRAME	KW	
	MS90L2-2	3	
	MS90L2-4	2.2	
	EMS90L2-2	3	
CLIENT:	90L2	KW	RPM
	FRAME		
	VOLTS		



OUTLINE DIMENSIONS FLANG MOUNTED MOTORS

SHAFT EXT.DE ONLY

A	AA	AB	AG'	AC	AD	B	BB	BA	BA'	LE	HH	C	H	HA	K	KK	L	M	N	P	S	T	D	DB	E	ED	F	G
140	35	175	110	φ185	145	125	155	31	31	50	133	56	90	12	10X13	M20X1.5	365	φ165	φ130	φ200	φ12	3.5	φ24	M8×20	50	40	8	20

CUSTOMER APPROVAL

SIGNATURE

DATE

90L2 B35

DIMENSION OUTLINE



DATE		CHECKED BY	
DESIGNED BY		APPROVED BY	
ISSUE	DATE	CERTIFIED BY	
ISSUE	DATE	CERTIFIED BY	
ISSUE	DATE	CERTIFIED BY	
ISSUE	DATE	CERTIFIED BY	



