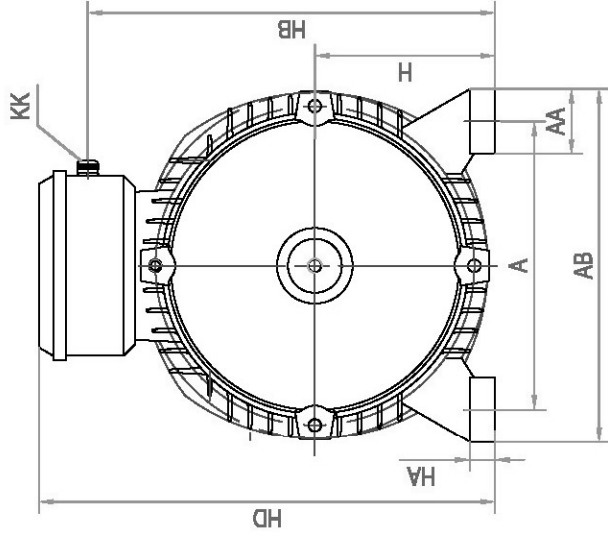
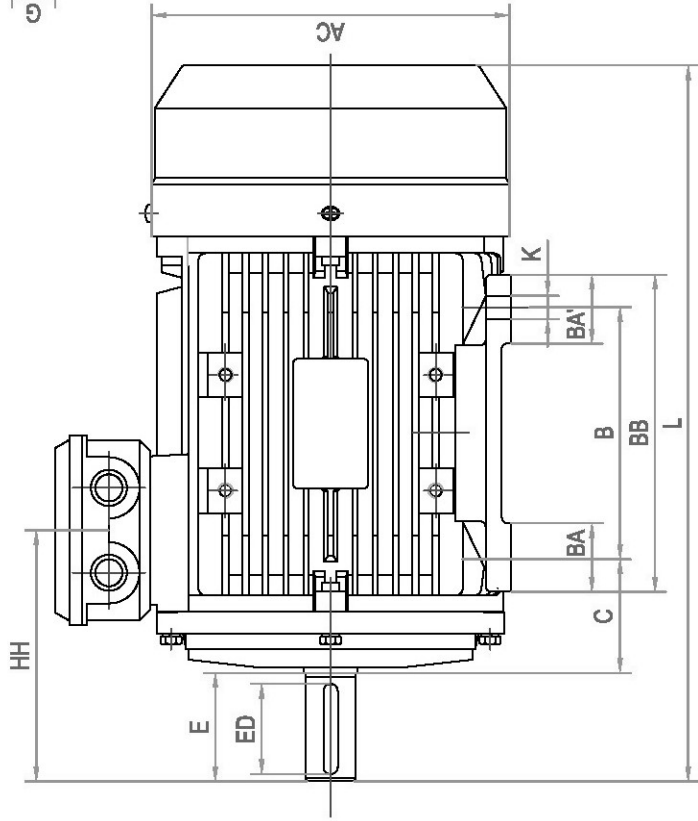
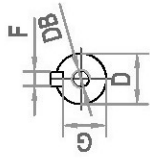


FRAME	KW	
MS100L1-2	3	
MS100L2-2	4	
MS100L1-4	2.2	
MS100L2-4	3	
MS100L3-4	4	
MS100L-6	1.5	
MS100L1-8	0.75	
MS100L2-8	1.1	
EMS100L1-2	3	
EMS100L2-2	4	
EMS100L1-4	2.2	
EMS100L2-4	3	
EMS100L3-4	4	
EMS100L-6	1.5	
CLIENT:	FRAME	100
	VOLTS	
	KW	
	RPM	



FOOT-OR-FLANGE-MOUNTING

SHAFT EXT.DE ONLY

WEIGHT(kg)

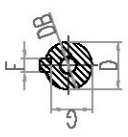
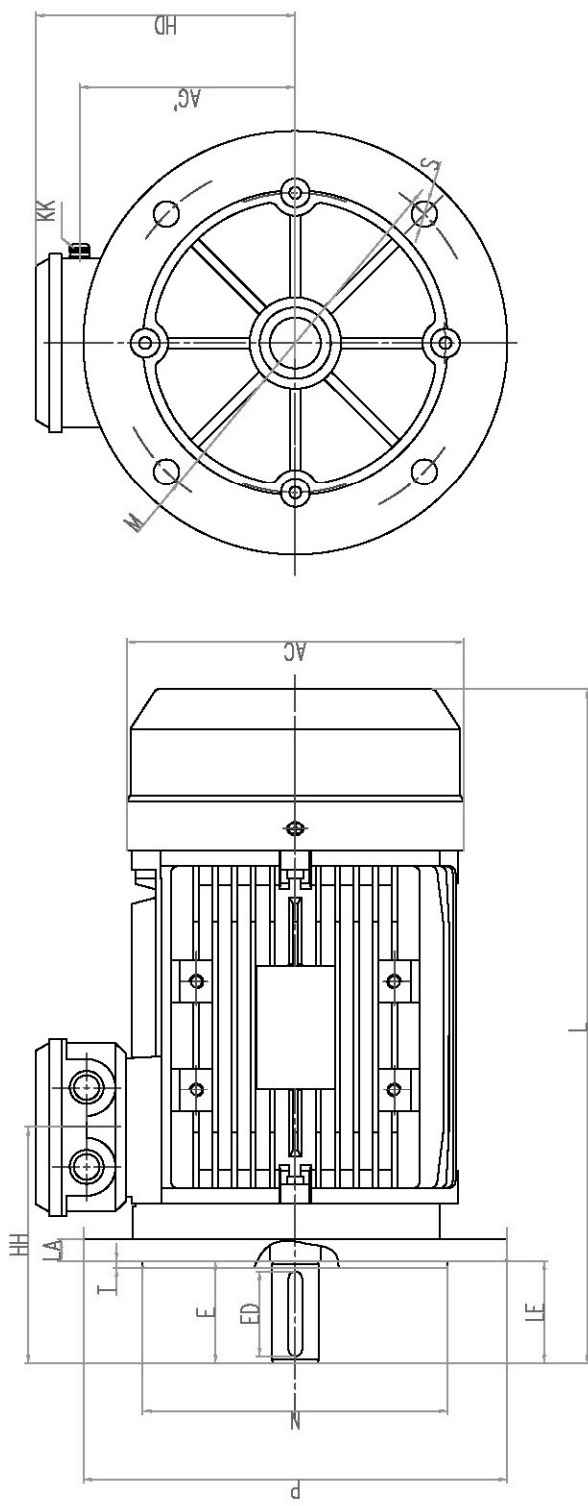
A	AA	AB	AC	B	BA	BA'	BB	C	H	HA	HB	HD	HH	K	KK	L	D	DB	E	ED	F	G
160	50	198	Ø205	140	42	42	176	63	100	14	222	252	139	12X16	1-M20X1.5	400	Ø28	M10X22	60	50	8	24

100 B3		DATE	CHECKED BY
DIMENSION OUTLINE		DESIGNED BY	APPROVED BY
		ISSUE	CERTIFIED BY
		DATE	
		ISSUE	CERTIFIED BY
		DATE	
		ISSUE	CERTIFIED BY
		DATE	
		ISSUE	CERTIFIED BY
		DATE	



FRAME	KW
MS100L1-2	3
MS100L2-2	4
MS100L1-4	2.2
MS100L2-4	3
MS100L3-4	4
MS100L-6	1.5
MS100L1-8	0.75
MS100L2-8	1.1
EMS100L1-2	3
EMS100L2-2	4
EMS100L1-4	2.2
EMS100L2-4	3
EMS100L3-4	4
EMS100L-6	1.5

CLIENT: FRAME KW VOLTS RPM



OUTLINE DIMENSIONS FLANGE MOUNTED MOTORS

AC	AD	AG	KK	L	LA	HH	LE	M	N	P	S	T	D	DB	E	ED	F	G
φ205	152	122	1-M20X1.5	400	13	139	60	φ215	φ180	φ250	φ15	4.0	φ28	M10x22	60	50	8	24

SHAFT EXT.DE ONLY

DATE	DESIGNED BY	CHECKED BY
ISSUE	DATE	CERTIFIED BY
ISSUE	DATE	CERTIFIED BY
ISSUE	DATE	CERTIFIED BY

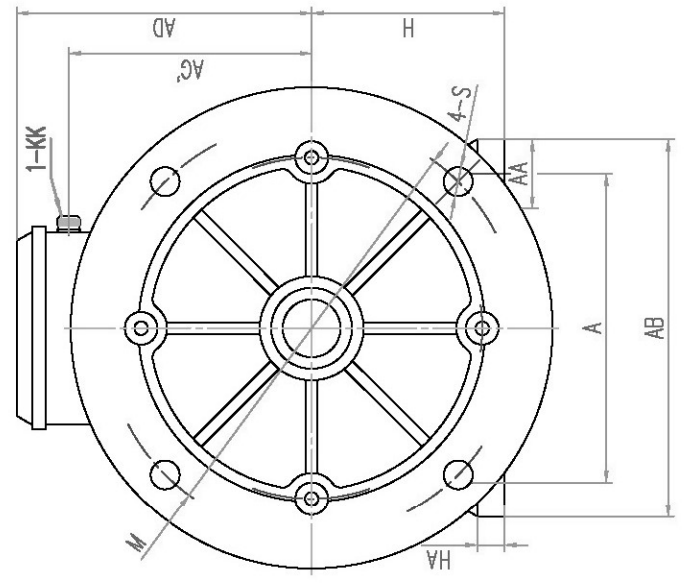
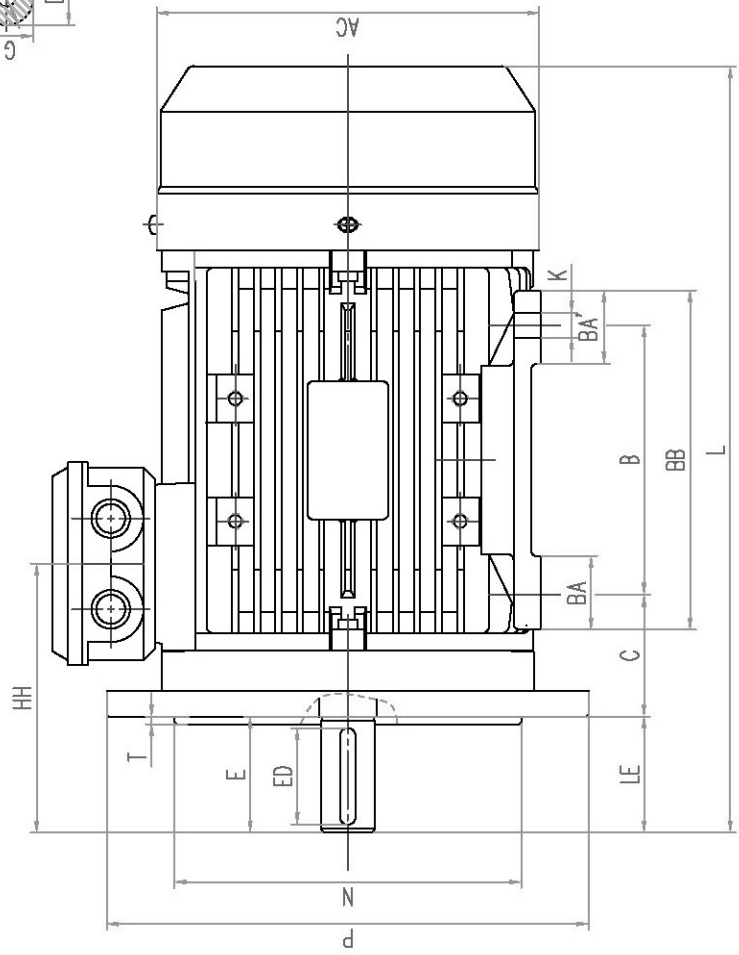
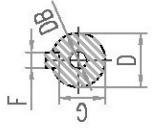
100 V1/B5
DIMENSION OUTLINE



CUSTOMER APPROVAL _____ SIGNATURE _____ DATE _____

FRAME	KW
MS100L1-2	3
MS100L2-2	4
MS100L1-4	2.2
MS100L2-4	3
MS100L3-4	4
MS100L-6	1.5
MS100L1-8	0.75
MS100L2-8	1.1
EMS100L1-2	3
EMS100L2-2	4
EMS100L1-4	2.2
EMS100L2-4	3
EMS100L3-4	4
EMS100L-6	1.5

CLIENT:	FRAME	
	VOLTS	
	KW	100
	RPM	



OUTLINE DIMENSIONS FLANG MOUNTED MOTORS

SHAFT EXT.DE ONLY

A	AA	AB	AC	AD	B	BB	BA	BA'	LE	HH	C	H	HA	K	KK	L	M	N	P	S	T	D	DB	E	ED	F	G	
160	50	198	122	φ205	152	140	176	42	42	60	139	63	100	14	12X16	M20X1.5	400	φ215	φ180	φ250	φ15	4	φ28	M10×22	60	50	8	24

CUSTOMER APPROVAL

SIGNATURE _____ DATE _____

100 B35

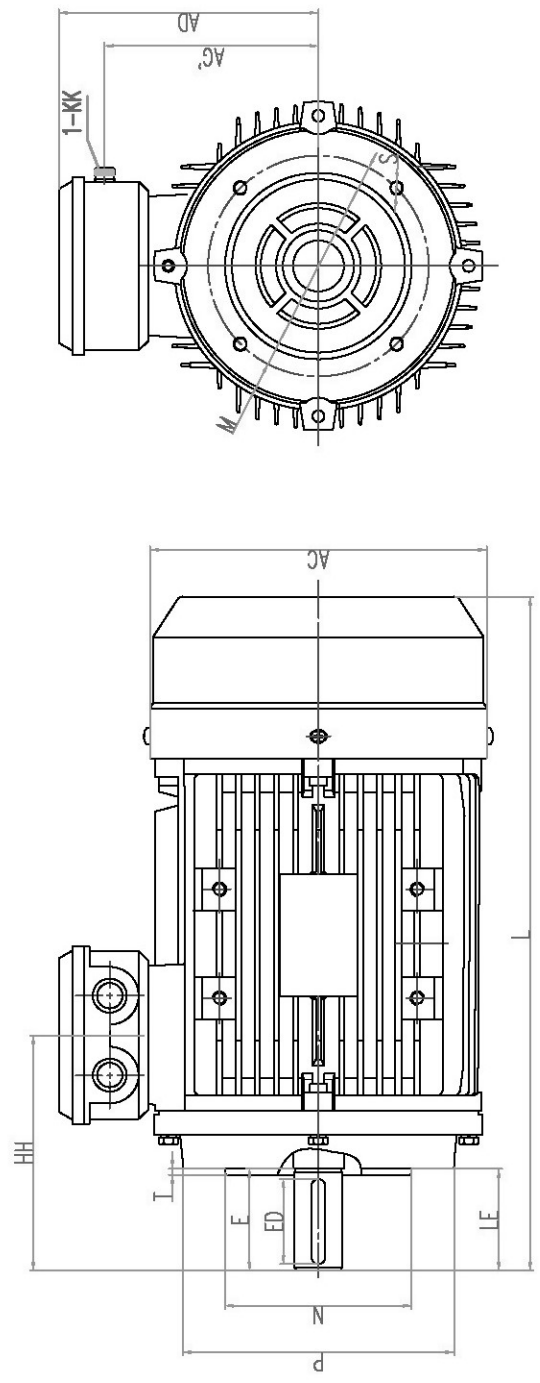
DATE _____
DESIGNED BY _____
ISSUE _____ DATE _____
ISSUE _____ DATE _____
ISSUE _____ DATE _____
ISSUE _____ DATE _____

DIMENSION OUTLINE



CHECKED BY _____
APPROVED BY _____
CERTIFIED BY _____
CERTIFIED BY _____
CERTIFIED BY _____
CERTIFIED BY _____

FRAME	KW
MS100L1-2	3
MS100L2-2	4
MS100L1-4	2.2
MS100L2-4	3
MS100L3-4	4
MS100L-6	1.5
MS100L1-8	0.75
MS100L2-8	1.1
EMS100L1-2	3
EMS100L2-2	4
EMS100L1-4	2.2
EMS100L2-4	3
EMS100L3-4	4
EMS100L-6	1.5



OUTLINE DIMENSIONS FLANGE MOUNTED MOTORS

AC	AD	AG	AG'KK	L	HH	LE	M	N	P	S	T	D	DB	E	ED	F	G
φ205	152	122	M20X1.5	400	139	60	φ130	φ110	φ160	4-M8	3.5	φ28	M10×22	60	50	8	24

SHAFT EXT.DE ONLY

DATE	CHECKED BY	
DESIGNED BY	APPROVED BY	
ISSUE	DATE	CERTIFIED BY
ISSUE	DATE	CERTIFIED BY
ISSUE	DATE	CERTIFIED BY
ISSUE	DATE	CERTIFIED BY

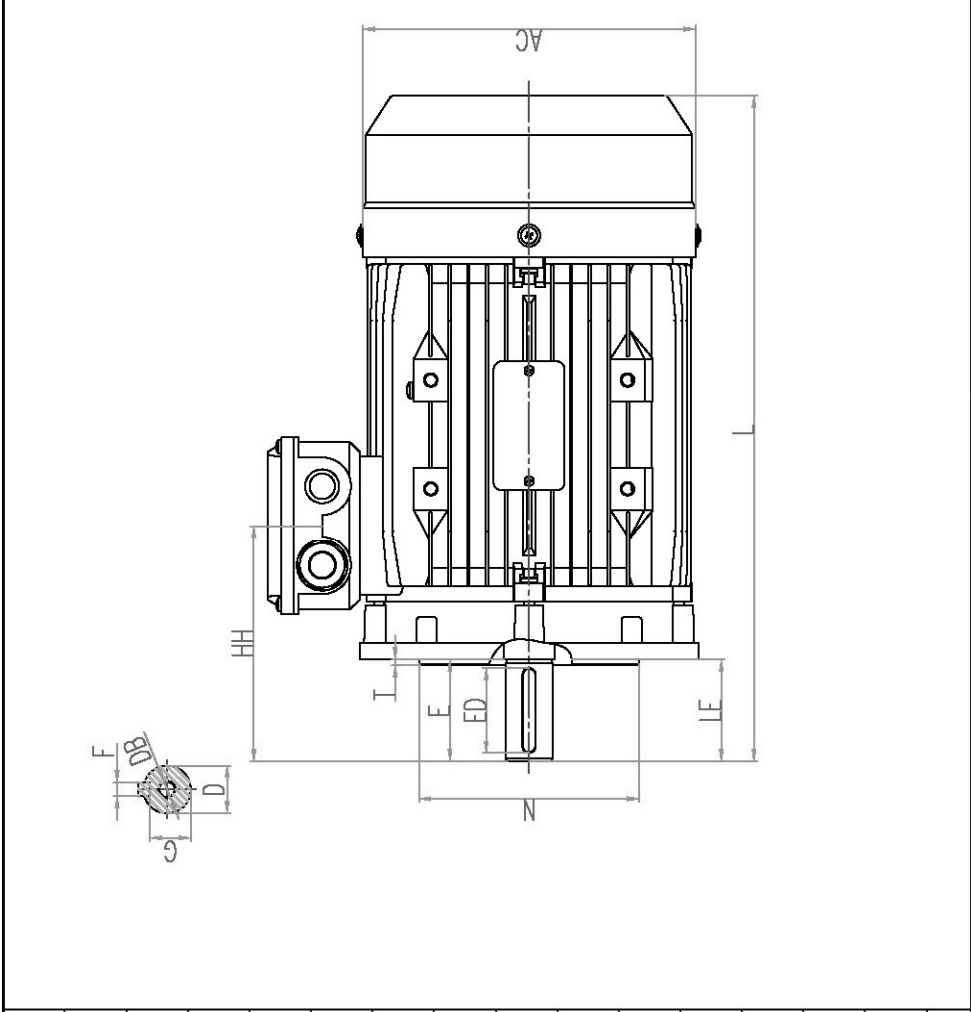
100 B14A
DIMENSION OUTLINE
ELECTRAMO

CUSTOMER APPROVAL _____ DATE _____
SIGNATURE _____

CLIENT: FRAME 100 KW RPM

FRAME	KW
MS100L1-2	3
MS100L2-2	4
MS100L1-4	2.2
MS100L2-4	3
MS100L3-4	4
MS100L-6	1.5
MS100L1-8	0.75
MS100L2-8	1.1
EMS100L1-2	3
EMS100L2-2	4
EMS100L1-4	2.2
EMS100L2-4	3
EMS100L3-4	4
EMS100L-6	1.5

CLIENT: _____
 FRAME KW 100
 VOLTS RPM



SHAFT EXT. DE ONLY

AC	AD	AG'	KK	L	HH	LE	M	N	P	S	T	D	DB	E	ED	F	G
φ205	152	122	1-M20x1.5	400	139	60	φ160	φ200	4-M10	3.5		φ28	M10x22	60	50	8	24

OUTLINE DIMENSIONS FLANGE MOUNTED MOTORS

CUSTOMER APPROVAL _____ DATE _____

SIGNATURE _____ DATE _____

DATE	CHECKED BY	
DATE	DESIGNED BY	
ISSUE	DATE	CERTIFIED BY
ISSUE	DATE	CERTIFIED BY
ISSUE	DATE	CERTIFIED BY

100 B14B
 DIMENSION OUTLINE