



Manufacturer

Customer

VEM motors Thurm GmbH
Äußere Dresdener Str. 35

D-08066 Zwickau

Three-phase motors with squirrel cage rotor, standard motors
 Housing grey cast iron

| | | | | | |
|------------------------------------|----------------------|---------------------|--|------|------|
| Type | | K21R 71 K2 | | | |
| Duty type | | S1 | | | |
| Design output | (kW) | 0,37 | | | |
| Efficiency determination | (-) | EN 60034-2 | | | |
| Design frequency | (Hz) | 50 | | | |
| Design speed | [rpm] | 2780 | | | |
| Design voltage | (V) | 230/400 | | | |
| Connection | (-) | D | | Y | |
| Design current | (A) | 1.6 | | 0.9 | |
| Relative pull-in current | (-) | 4,4 | | | |
| Relative starting torque | (-) | 2,1 | | | |
| Relative pull-up torque | (-) | 2,1 | | | |
| Relative pull-out torque | (-) | 2,3 | | | |
| Loading state | (%) | 100 | | 75 | 50 |
| Power factor | (-) | 0,79 | | 0,72 | 0,57 |
| Efficiency | (%) | 71,5 | | 69,7 | 65 |
| Th. cl. | | 155(F) | | | |
| Coolant temperature | (°C) | 40°C | | | |
| Altitude above sea level | (m) | 1000m | | | |
| Degree of protection | | IP55 | | | |
| Moment of inertia | (kgm ²) | 0,00025 | | | |
| Motor weight | (kg) | 6,7 | | | |
| Bearing, D-side | | 6202 2Z C3 | | | |
| Bearing, N-side | | 6202 2Z C3 | | | |
| Relubrication interval | (h) | | | | |
| Grease type | | Asonic GLY 32 | | | |
| Grease amount | (g) | | | | |
| A-sound pressure level | (dB) | 48 | | | |
| Special details to bearings 1 | | none | | | |
| Special details to bearings 2 | | none | | | |
| Bearing monitoring | | none | | | |
| Winding protection | | none | | | |
| Winding protection 2 | | none | | | |
| Anti-condensation heating | | none | | | |
| Special versions 1 | | none | | | |
| Special versions 2 | | none | | | |
| Special versions 3 | | none | | | |
| Special versions 4 | | none | | | |
| Limit values to vibration velocity | | Class A | | | |
| Balancing with half key | | | | | |
| Colour system | | 01 Moderate (KK C2) | | | |
| Colour shade | | RAL 7031 blue-grey | | | |
| Layer thickness | | 60 µm | | | |

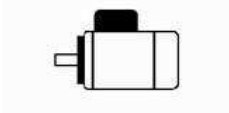
Delivery conditions and/or official regulations: IEC / EN 60034-1

This document was produced electronically, all specifications are valid only after confirmation of the manufacturer

Three-phase motors with squirrel cage rotor, standard motors
Housing grey cast iron

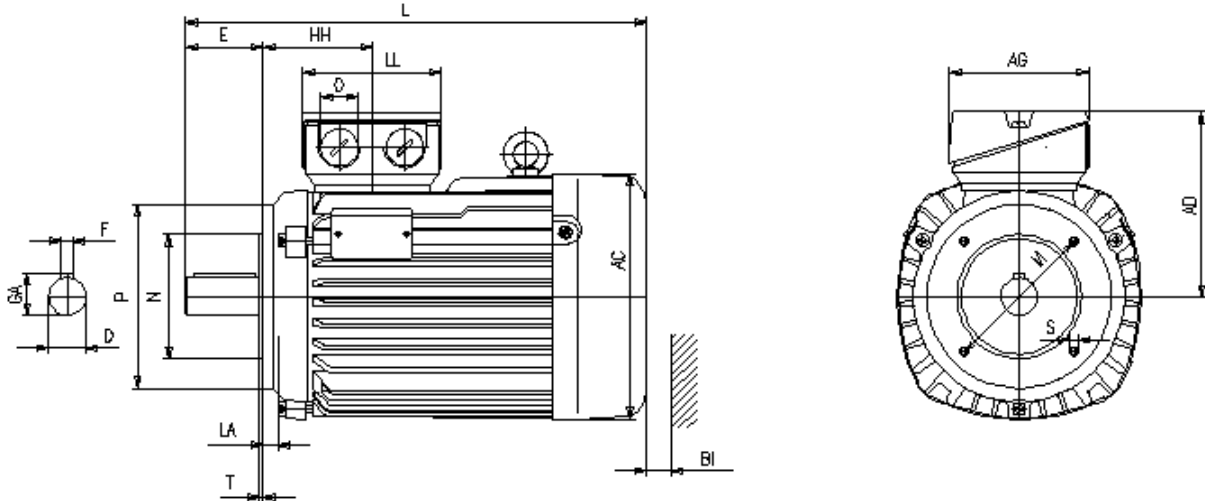
K21R 71 K2

Mounting position



Type of mounting: IM B14K
Flange: FT 85[C 105]
Position of terminal box: on the top

Terminal box: KA 05
Cable gland O: 1 xSealing plug



Motor

| | | | | | | | | | | | | | |
|-----|----|----|-----|-----|----|----|----|-----|----|----|--------------|----|----|
| A | AA | AB | AC | AD | B | B' | BA | BA' | BB | C | CA | K | K' |
| - | - | - | 124 | 104 | - | - | - | - | - | - | - | - | - |
| | | | | | | | | | | | Terminal box | | |
| L | LC | H | HA | HD | HH | BI | | | | AG | LL | BE | AH |
| 206 | - | 71 | - | - | 61 | 14 | | | | 92 | 92 | - | - |

Flange

| | | | | | | | | | | | | |
|-----|----|-----|----|-----|----|--|--|--|------|----|----|----|
| P | N | LA | M | T | S | | | | H | N | D | DA |
| 105 | 70 | 8,5 | 85 | 2,5 | M6 | | | | -0,5 | j6 | k6 | k6 |

Tolerances

Shaft-DS

| | | | | |
|----|----|----|---|-----------------|
| D | E | GA | F | DB |
| 14 | 30 | 16 | 5 | DIN 332-DS M5 - |

Shaft-NS

| | | | |
|----|----|----|----|
| DA | EA | GC | FA |
| - | - | - | - |

DB...Centre hole

Delivery conditions and/or official regulations: IEC / EN 60034-1

This document was produced electronically, all specifications are valid only after confirmation of the manufacturer