



Manufacturer

Customer

**VEM motors GmbH**  
**Carl-Friedrich-Gauß-Straße 1**

**D-38855 Wernigerode**

Three-phase motors with squirrel cage rotor,  
 Housing grey cast iron

Type	IE3-W41R 180 M4 TPM HW		
Design output	( kW )	18,5	
Design torque	( Nm )	120	
Class IE	( - )	IE3-92,7%	
Efficiency determination		EN 60034-2-1	
Duty type		S1	
Design frequency	( Hz )	50	
Design speed	[rpm]	1475	
Voltage	( V )	400/690	
Connection	( - )	D	Y
Current	( A )	34.5	20.0
Relative pull-in current	( - )	6,9	
Relative starting torque	( - )	1,9	
Relative pull-out torque	( - )	3	
Efficiency100/75/50 %	( % )		92,7 / 92,9 / 92
Power factor	( - )	0,84	
Th. cl.		155(F)	
Coolant temperature	( °C )	40°C	
Altitude above sea level	( m )	1000m	
Degree of protection		IP55	
Moment of inertia	( kgm <sup>2</sup> )	0,168	
Motor weight	( kg )	210	
Bearing, D-side		6310 C3	
Bearing, N-side		6310 C3	
Relubrication interval	( h )		
Grease type		Klüberquiet BQ 72-72	
Grease amount	( g )		
Special details to bearings 1		none	
Special details to bearings 2		Fixed bearing, N-side	
Bearing monitoring		none	
Winding protection		1 set thermistors	
Winding protection 2		none	
Anti-condensation heating		none	
Special versions 1		none	
Special versions 2		none	
Special versions 3		none	
Special versions 4		none	
Limit values to vibration velocity		Class A	
Balancing with half key			
Colour system		01 Moderate (KK C2)	
Colour shade		RAL 7031 blue-grey	
Layer thickness		70 µm	

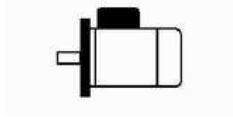
**Delivery conditions and/or official regulations: IEC / EN 60034-1**

**This document was produced electronically, all specifications are valid only after confirmation of the manufacturer**

Three-phase motors with squirrel cage rotor,  
Housing grey cast iron

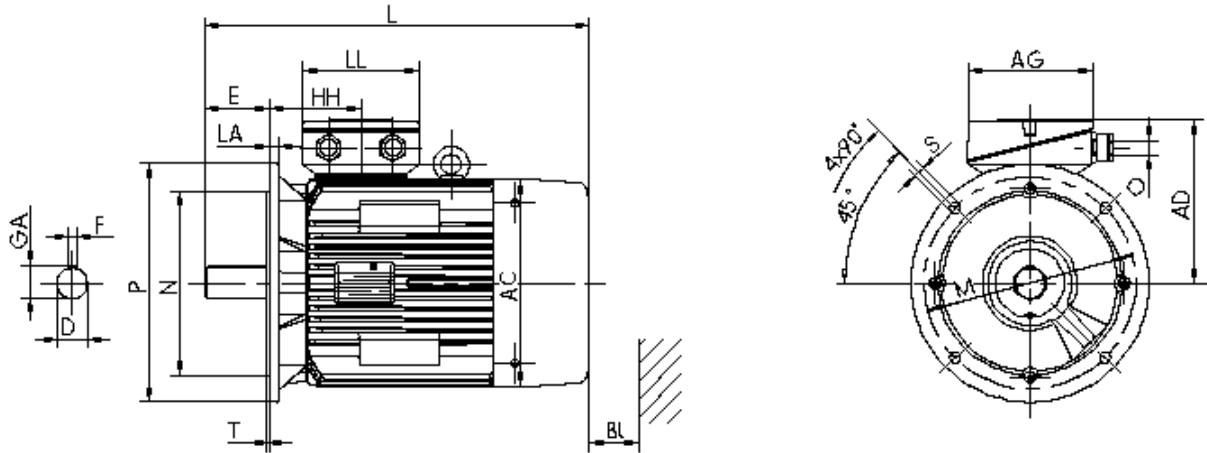
## IE3-W41R 180 M4 TPM HW

### Mounting position



Type of mounting: IMB5  
Flange: FF 300[A 350]  
Position of terminal box: on the top

Terminal box: KK 63 A  
Cable gland O: 1 xSealing plug



### Motor

A	AA	AB	AC	AD	B	B'	BA	BA'	BB	C	CA	K	K'
-	-	-	351	261	-	-	-	-	-	-	-	-	-

### Terminal box

L	LC	H	HA	HD	HH	BI	AG	LL	BE	AH
680	-	180	-	-	147	35	193	167	-	-

### Flange

P	N	LA	M	T	S
350	250	13	300	5	18

### Tolerances

H	N	D	DA
-0,5	h6	k6	k6

### Shaft-DS

D	E	GA	F	DB
48	110	51,5	14	DIN 332 DS- M16

### Shaft-NS

DA	EA	GC	FA
-	-	-	-

### DB...Centre hole

Delivery conditions and/or official regulations: IEC / EN 60034-1

This document was produced electronically, all specifications are valid only after confirmation of the manufacturer