



Manufacturer

Customer

VEM motors Thurm GmbH
Äußere Dresdener Str. 35

D-08066 Zwickau

Three-phase motors with squirrel cage rotor, standard motors
 Housing grey cast iron

Type	IE2-WE1R 100 L4		
Design output	(kW)	2,2	
Design torque	(Nm)	14,4	
Class IE	(-)	IE2-85,9%	
Efficiency determination		EN 60034-2-1	
Duty type		S1	
Design frequency	(Hz)	50	
Design speed	[rpm]	1455	
Voltage	(V)	230/400	
Connection	(-)	D	Y
Current	(A)	8.3	4.8
Relative pull-in current	(-)	9,3	
Relative starting torque	(-)	3,2	
Relative pull-out torque	(-)	3,6	
Efficiency100/75/50 %	(%)	85,9 / 85,2 / 81,7	
Power factor	(-)	0,77	
Th. cl.		155(F/B)	
Coolant temperature	(°C)	40°C	
Altitude above sea level	(m)	1000m	
Degree of protection		IP55	
Moment of inertia	(kgm ²)	0,009	
Motor weight	(kg)	36	
Bearing, D-side		6206 ZZ C3	
Bearing, N-side		6206 ZZ C3	
Relubrication interval	(h)		
Grease type		Asonic GLY 32	
Grease amount	(g)		
Special details to bearings 1		none	
Special details to bearings 2		none	
Bearing monitoring		none	
Winding protection		none	
Winding protection 2		none	
Anti-condensation heating		none	
Special versions 1		none	
Special versions 2		none	
Special versions 3		none	
Special versions 4		none	
Limit values to vibration velocity		Class A	
Balancing with half key			
Colour system		01 Moderate (KK C2)	
Colour shade		RAL 7031 blue-grey	
Layer thickness		60 µm	

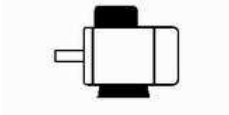
Delivery conditions and/or official regulations: IEC / EN 60034-1

This document was produced electronically, all specifications are valid only after confirmation of the manufacturer

Three-phase motors with squirrel cage rotor, standard motors
Housing grey cast iron

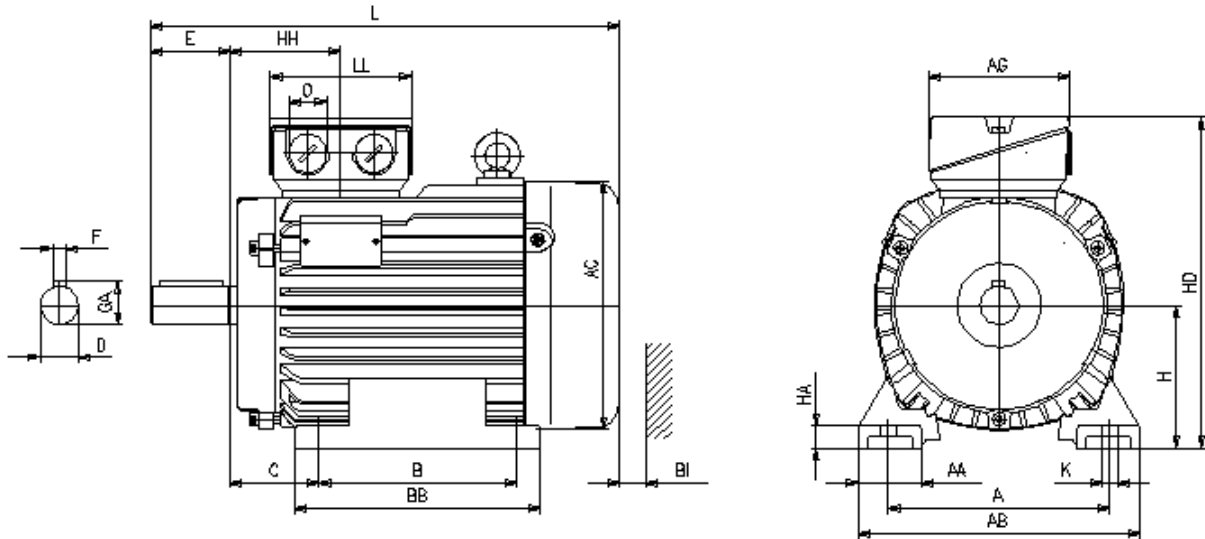
IE2-WE1R 100 L4

Mounting position



Type of mounting: IM B3
Flange: -
Position of terminal box: on the top

Terminal box: KA 05
Cable gland O: 1 xSealing plug



Motor

A	AA	AB	AC	AD	B	B'	BA	BA'	BB	C	CA	K	K'
160	42	193	196	-	140	-	-	-	175	63	-	12	12

Terminal box

L	LC	H	HA	HD	HH	BI	AG	LL	BE	AH
391	-	100	13	237	77	20	92	92	-	-

Flange

P	N	LA	M	T	S
-	-	-	-	-	-

Tolerances

H	N	D	DA
-0,5	j6	k6	k6

Shaft-DS

D	E	GA	F	DB
28	60	31	8	DIN 332 DS- M10

Shaft-NS

DA	EA	GC	FA
-	-	-	-

DB...Centre hole

Delivery conditions and/or official regulations: IEC / EN 60034-1

This document was produced electronically, all specifications are valid only after confirmation of the manufacturer