



Manufacturer

Customer

VEM motors Thurm GmbH
Äußere Dresdener Str. 35

D-08066 Zwickau

Three-phase motors with squirrel cage rotor, standard motors
 Housing grey cast iron

Type		K21R 71 K2			
Duty type		S1			
Design output	(kW)	0,37			
Efficiency determination	(-)	EN 60034-2			
Design frequency	(Hz)	50			
Design speed	[rpm]	2780			
Design voltage	(V)	230/400			
Connection	(-)	D		Y	
Design current	(A)	1.6		0.9	
Relative pull-in current	(-)	4,4			
Relative starting torque	(-)	2,1			
Relative pull-up torque	(-)	2,1			
Relative pull-out torque	(-)	2,3			
Loading state	(%)	100		75	50
Power factor	(-)	0,79		0,72	0,57
Efficiency	(%)	71,5		69,7	65
Th. cl.		155(F)			
Coolant temperature	(°C)	40°C			
Altitude above sea level	(m)	1000m			
Degree of protection		IP55			
Moment of inertia	(kgm ²)	0,00025			
Motor weight	(kg)	6,7			
Bearing, D-side		6202 2Z C3			
Bearing, N-side		6202 2Z C3			
Relubrication interval	(h)				
Grease type		Asonic GLY 32			
Grease amount	(g)				
A-sound pressure level	(dB)	48			
Special details to bearings 1		none			
Special details to bearings 2		none			
Bearing monitoring		none			
Winding protection		none			
Winding protection 2		none			
Anti-condensation heating		none			
Special versions 1		none			
Special versions 2		none			
Special versions 3		none			
Special versions 4		none			
Limit values to vibration velocity		Class A			
Balancing with half key					
Colour system		01 Moderate (KK C2)			
Colour shade		RAL 7031 blue-grey			
Layer thickness		60 µm			

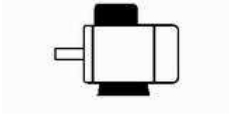
Delivery conditions and/or official regulations: IEC / EN 60034-1

This document was produced electronically, all specifications are valid only after confirmation of the manufacturer

Three-phase motors with squirrel cage rotor, standard motors
Housing grey cast iron

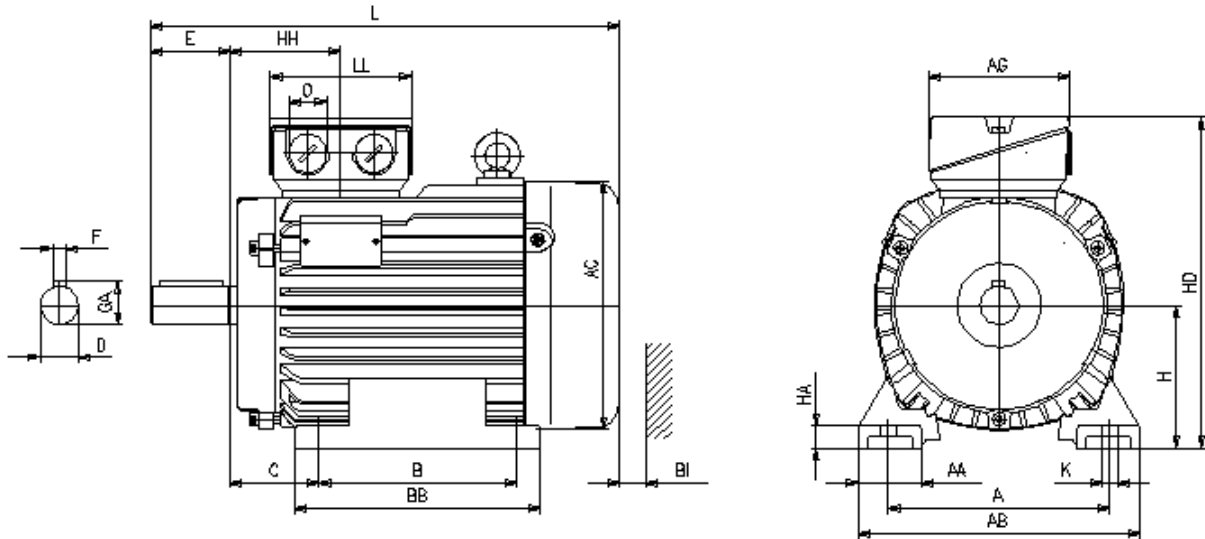
K21R 71 K2

Mounting position



Type of mounting: IM B3
Flange: -
Position of terminal box: on the top

Terminal box: KA 05
Cable gland O: 1 xSealing plug



Motor

A	AA	AB	AC	AD	B	B'	BA	BA'	BB
112	32	138	124	-	90	90	-	-	116

Terminal box

L	LC	H	HA	HD	HH	BI	AG	LL	BE	AH
206	-	71	11	175	61	14	92	92	-	-

Flange

P	N	LA	M	T	S
-	-	-	-	-	-

Tolerances

H	N	D	DA
-0,5	j6	k6	k6

Shaft-DS

D	E	GA	F	DB
14	30	16	5	DIN 332-DS M5 -

Shaft-NS

DA	EA	GC	FA
-	-	-	-

DB...Centre hole

Delivery conditions and/or official regulations: IEC / EN 60034-1

This document was produced electronically, all specifications are valid only after confirmation of the manufacturer