

N° :

Date : 22 févr. 2018

### Induction motor

4P LSES 132MU 7,5kW IFT/IE3 B14 230D/380Y/400Y/415Y-460Y 50-60Hz -

**Utilisation :** Environment Current ; Ambiance Non corrosive ; Finition - ; Zone Non specific ; General applications ; Ambient temperature -16 +40 °C ; Maximum altitude 1000 m.

**Motor characteristics :** Aluminium alloy housing ; Cast iron DE endshield ; Cast iron NDE endshield.



### Motor definition

		Application	General applications
Protection type	-	Main voltage (V)	400
Generation code	IFT	Connection	DY
Efficiency class	IE3	Motor winding (V)	230D/380Y/400Y/415Y-460Y
Number of network phases	3	Rated Frequency (Hz)	50-60
Number of speed		Operation position	IM3601(IMB14)
Polarity	4P	Index of protection	IP55
Motor serie	LSES	Index of cooling	IC411
Frame size (mm)	132	Insulation class	F
Lenght code	MU	Finish	-
HS rated power (kW)	7.500	Moment of inertia J (kg.m <sup>2</sup> )	0.0296500
LS rated power (kW)	-	Motor weight (kg)	62.6
Rated speed (min-1)	1458		
Maximum mechanical speed (min-1)	6700		

### Common definitions

Paint shade	RAL6000
Paint system	1a (1 polyurethane coat 20/30 microns)

### Motor mechanical interface

Mounting flange	FT165	Shaft material type	Steel shaft
Drive end shaft type	IEC STANDARD shaft end	Nuance of shaft material	-
Diameter DE shaft (mm)	38k6	Second shaft extension	-
Length DE shaft (mm)	80	Diameter NDE shaft (mm)	-
DE bearing mounting	Locked	Second shaft end length (mm)	-
DE bearing type	DE ball bearing	NDE bearing type	NDE ball bearing
DE bearing	6308	NDE bearing	6307
Code Type de graissage	Vie		

### Motor electrical interface

Connection network type	Terminal box	Cable type	-
Connection network material	Aluminium alloy	Cable gland material	Cable gland not supplied, holes tapped with polyamide plugs
Connection network position	A	Main cable gland type	2xM25 ; With plugs
Connection network orientation	up	Principal cable gland position	Right (1)
Connection network relative position	0		

N° :

Date : 22 févr. 2018

Induction motor - 4P LSES 132MU 7,5kW IFT/IE3 B14 230D/380Y/400Y/415Y-460Y 50-60Hz -

### Motor options

Vibration level	A (25µm ; 1.6mm/s ; 2.5m/s²)	Cover	Metal cover
Balancing type	Half-key (H)	Drip proof cover option	-
Impregnation type	< 95% ; -16+40°C (T)	cooling type	-
Winding thermal protection	-	Forced ventilation characteristics	-
Space heater	-	Encoder type	-
Draining plugs position	6H	Encoder characteristics	-
Nameplate material	Aluminium nameplate	Screw material	Steel screw
Endshield thermal protection	-	Adaptation for vibration sensor	-
Reinforced winding insulation	-		

### Motor characteristics (on mains supply)

Main voltage (V)	Rated Frequency (Hz)	HS rated power (kW)	Rated torque (N.m)	Rated speed (min-1)	Rated current (A)	Power factor at 4/4 of the load	Power factor at 3/4 of the load	Power factor at 2/4 of the load	Efficiency at 4/4 (IEC 60 034-2-1) of the load (%)	Efficiency at 3/4 (IEC 60 034-2-1) of the load (%)	Efficiency at 2/4 (IEC 60 034-2-1) of the load (%)
380	50	7.500	49,1	1450.00	14.50	0.87			90.40		
400	50	7.500	49,1	1458	14.0	0.86	0.82	0.73	90.60	91.72	92.07
415	50	7.500	49,1	1462.00	13.60	0.85			90.90		
460	60	-	-	1766.00	12.10	0.84			91.96		

### Motor characteristics (on mains supply) 400 V 50 Hz

Starting torque (N.m)	144.85	Id / In	8.0
Average starting torque (N.m)		Id	112.00
Maximum torque (N.m)	164,49	Maximum current (A)	
Unload maximum starting frequency (d/h)	-	No-load current (A)	0.00
Rotor locked time (cold) (s)		Acoustic pressure level (dB(A))	61

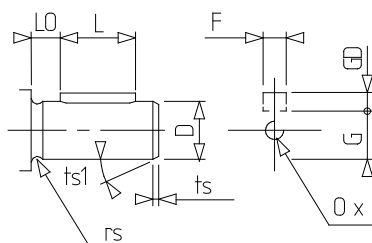
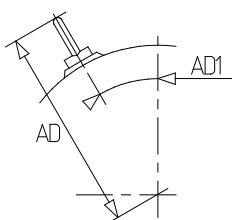
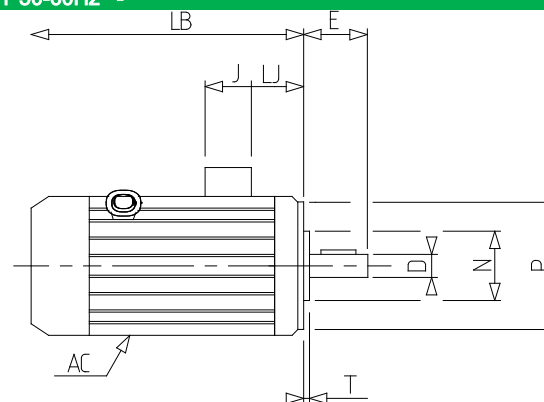
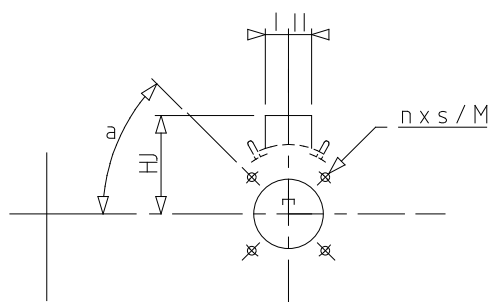
### Motor characteristics (supplied via drives)

Main voltage (V)	Nominal frequency (Hz)	Pn (kW)	Nn (min-1)	In (A)	Cos Phi	Mn @ f/10 (N.m)	Mn @ f/5 (N.m)	Mn @ f/3 (N.m)	Mn @ f/2 (N.m)	Mn (N.m)	Mn @ fx1.7 (N.m)	Mn @ fx2 (N.m)
400 Y	50	7.5	1458	14.89	0.86	0.00	44.19	44.19	49.10	49.100	28.22	0.00
400 D	87	13.05	2525	25.9	0.86	0.00	44.19	44.19	49.10	49.100	0.00	0.00

N° :

Date : 22 févr. 2018

Induction motor - 4P LSES 132MU 7,5kW IFT/IE3 B14 230D/380Y/400Y/415Y-460Y 50-60Hz -



a	45
AC	272.00
AD1	45
D	38k6
E	80
F	10
G	33
GD	8
HJ	190.0
I	63
II	63
J	126
L	63
LA	0
LB	412.0
LJ	17.0
LO	10
M	165
N	130
n	4
O	M12
P	200
p	28
rs	0.5
S	M10
T	3.5
ts	2
ts1	20