

N° :

Date : 13 févr. 2018

### Induction motor

2P LSES 90LU 2,2kW IFT/IE3 B14 230D/380Y/400Y/415Y-460Y 50-60Hz -

**Utilisation :** Environment Current ; Ambiance Non corrosive ; Finition - ; Zone Non specific ; General applications ; Ambient temperature -16 +40 °C ; Maximum altitude 1000 m.

**Motor characteristics :** Aluminium alloy housing ; Cast iron DE endshield ; Cast iron NDE endshield.



### Motor definition

		Application	General applications
Protection type	-	Main voltage (V)	400
Generation code	IFT	Connection	DY
Efficiency class	IE3	Motor winding (V)	230D/380Y/400Y/415Y-460Y
Number of network phases	3	Rated Frequency (Hz)	50-60
Number of speed		Operation position	IM3601(IMB14)
Polarity	2P	Index of protection	IP55
Motor serie	LSES	Index of cooling	IC411
Frame size (mm)	90	Insulation class	F
Lenght code	LU	Finish	-
HS rated power (kW)	2.200	Moment of inertia J (kg.m <sup>2</sup> )	0.0029200
LS rated power (kW)	-	Motor weight (kg)	20.4
Rated speed (min-1)	2895		
Maximum mechanical speed (min-1)	11700		

### Common definitions

Paint shade	RAL6000
Paint system	C3_la (1 polyurethane coat 20/30 microns)

### Motor mechanical interface

Mounting flange	FT115	Shaft material type	Steel shaft
Drive end shaft type	IEC STANDARD shaft end	Nuance of shaft material	-
Diameter DE shaft (mm)	24j6	Second shaft extension	-
Length DE shaft (mm)	50	Diameter NDE shaft (mm)	-
DE bearing mounting	Locked	Second shaft end length (mm)	-
DE bearing type	DE ball bearing	NDE bearing type	NDE ball bearing
DE bearing	6205	NDE bearing	6205
Code Type de graissage	Vie		

### Motor electrical interface

Connection network type	Terminal box	Cable type	-
Connection network material	Composite materials	Cable gland material	Cable gland not supplied, holes tapped with polyamide plugs
Connection network position	A	Main cable gland type	1xM20 ; With plugs
Connection network orientation	up	Principal cable gland position	Right (1)
Connection network relative position	0		

N° :

Date : 13 févr. 2018

**Induction motor - 2P LSES 90LU 2,2kW IFT/IE3 B14 230D/380Y/400Y/415Y-460Y 50-60Hz -**

**Motor options**

Vibration level	A (25µm ; 1.6mm/s ; 2.5m/s <sup>2</sup> )	Cover	Plastic cover
Balancing type	Half-key (H)	Drip proof cover option	-
Impregnation type	< 95% ; -16+40°C (T)	cooling type	-
Winding thermal protection	-	Forced ventilation characteristics	-
Space heater	-	Encoder type	-
Draining plugs position	6H	Encoder characteristics	-
Nameplate material	Aluminium nameplate	Screw material	Steel screw
Endshield thermal protection	-	Adaptation for vibration sensor	-
Reinforced winding insulation	-		

**Motor characteristics (on mains supply)**

Main voltage (V)	Rated Frequency (Hz)	HS rated power (kW)	Rated torque (N.m)	Rated speed (min-1)	Rated current (A)	Power factor at 4/4 of the load	Power factor at 3/4 of the load	Power factor at 2/4 of the load	Efficiency at 4/4 (IEC 60 034-2-1) of the load (%)	Efficiency at 3/4 (IEC 60 034-2-1) of the load (%)	Efficiency at 2/4 (IEC 60 034-2-1) of the load (%)
380	50	2.200	7,25	2875.00	4.40	0.88			85.90		
400	50	2.200	7,25	2895	4.25	0,86	0,8	0,69	86.30	87.50	87.24
415	50	2.200	7,25	2905.00	4.20	0.85			86.69		
460	60	-	-	3505.00	3.75	0.85			87.56		

**Motor characteristics (on mains supply) 400 V 50 Hz**

Starting torque (N.m)	22,48	Id / In	8.0
Average starting torque (N.m)		Id	34.00
Maximum torque (N.m)	24,65	Maximum current (A)	
Unload maximum starting frequency (d/h)	-	No-load current (A)	0.00
Rotor locked time (cold) (s)		Acoustic pressure level (dB(A))	67

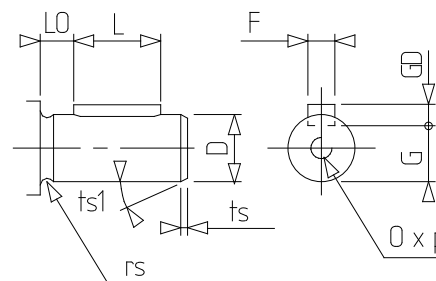
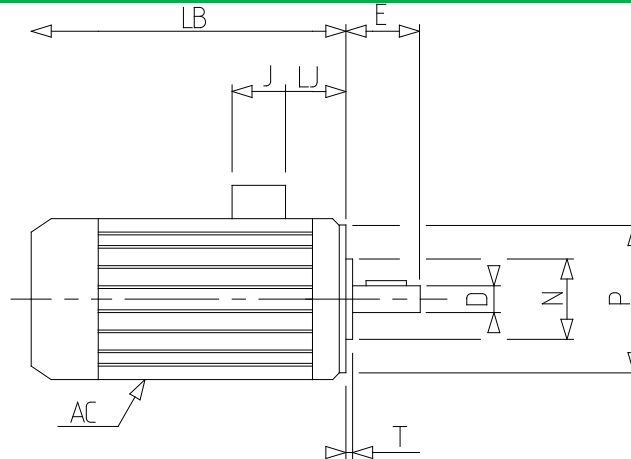
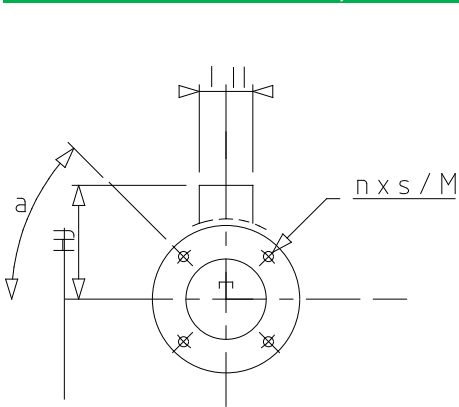
**Motor characteristics (supplied via drives)**

Main voltage (V)	Nominal frequency (Hz)	Pn (kW)	Nn (min-1)	In (A)	Cos Phi	Mn @ f/10 (N.m)	Mn @ f/5 (N.m)	Mn @ f/3 (N.m)	Mn @ f/2 (N.m)	Mn (N.m)	Mn @ fx1.7 (N.m)	Mn @ fx2 (N.m)
400 Y	50	2.2	2895	4.5	0.86	0.00	6.16	7.25	7.25	7.250	4.17	0.00
400 D	87	3.83	5014	7.87	0.86	0.00	6.16	7.25	7.25	7.250	0.00	0.00

N° :

Date : 13 févr. 2018

Induction motor - 2P LSES 90LU 2,2kW IFT/IE3 B14 230D/380Y/400Y/415Y-460Y 50-60Hz -



<b>a</b>	45
<b>AC</b>	189.00
<b>D</b>	24j6
<b>E</b>	50
<b>F</b>	8
<b>G</b>	20
<b>GD</b>	7
<b>HJ</b>	135.0
<b>I</b>	43
<b>II</b>	43
<b>J</b>	86
<b>L</b>	40
<b>LA</b>	0
<b>LB</b>	276.0
<b>LJ</b>	26.0
<b>LO</b>	6
<b>M</b>	115
<b>N</b>	95
<b>n</b>	4
<b>O</b>	M8
<b>P</b>	140
<b>p</b>	19
<b>rs</b>	0.5
<b>S</b>	M8
<b>T</b>	3
<b>ts</b>	2
<b>ts1</b>	20