



N° :

Date : 16 févr. 2018

Induction motor

2P LSES 100L 3kW IFT/IE3 B5 380D/400D/415D/690Y-460D 50-60Hz -

Utilisation : Environment Current ; Ambiance Non corrosive ; Finition - ; Zone Non specific ; General applications ; Ambient temperature -16 +40 °C ; Maximum altitude 1000 m.

Motor characteristics : Aluminium alloy housing ; Cast iron DE endshield ; Cast iron NDE endshield.



Motor definition

| | | Application | General applications |
|----------------------------------|-------|--|--------------------------|
| Protection type | - | Main voltage (V) | 400 |
| Generation code | IFT | Connection | DY |
| Efficiency class | IE3 | Motor winding (V) | 380D/400D/415D/690Y-460D |
| Number of network phases | 3 | Rated Frequency (Hz) | 50-60 |
| Number of speed | | Operation position | IM3001(IMB5) |
| Polarity | 2P | Index of protection | IP55 |
| Motor serie | LSES | Index of cooling | IC411 |
| Frame size (mm) | 100 | Insulation class | F |
| Lenght code | L | Finish | - |
| HS rated power (kW) | 3.000 | Moment of inertia J (kg.m ²) | 0.0036400 |
| LS rated power (kW) | - | Motor weight (kg) | 24.6 |
| Rated speed (min-1) | 2885 | | |
| Maximum mechanical speed (min-1) | 9900 | | |

Common definitions

| | |
|--------------|---|
| Paint shade | RAL6000 |
| Paint system | C3_la (1 polyurethane coat 20/30 microns) |

Motor mechanical interface

| | | | |
|------------------------|------------------------|------------------------------|------------------|
| Mounting flange | FF215 | Shaft material type | Steel shaft |
| Drive end shaft type | IEC STANDARD shaft end | Nuance of shaft material | - |
| Diameter DE shaft (mm) | 28j6 | Second shaft extension | - |
| Length DE shaft (mm) | 60 | Diameter NDE shaft (mm) | - |
| DE bearing mounting | Locked | Second shaft end length (mm) | - |
| DE bearing type | DE ball bearing | NDE bearing type | NDE ball bearing |
| DE bearing | 6206 | NDE bearing | 6205 |
| Code Type de graissage | Vie | | |

Motor electrical interface

| | | | |
|--------------------------------------|---------------------|--------------------------------|---|
| Connection network type | Terminal box | Cable type | - |
| Connection network material | Composite materials | Cable gland material | Cable gland not supplied, holes tapped with polyamide plugs |
| Connection network position | A | Main cable gland type | 1xM20 ; With plugs |
| Connection network orientation | up | Principal cable gland position | Right (1) |
| Connection network relative position | 0 | | |

N° :

Date : 16 févr. 2018

Induction motor - 2P LSES 100L 3kW IFT/IE3 B5 380D/400D/415D/690Y-460D 50-60Hz -

Motor options

| | | | |
|-------------------------------|------------------------------|------------------------------------|---------------|
| Vibration level | A (25µm ; 1.6mm/s ; 2.5m/s²) | Cover | Plastic cover |
| Balancing type | Half-key (H) | Drip proof cover option | - |
| Impregnation type | < 95% ; -16+40°C (T) | cooling type | - |
| Winding thermal protection | - | Forced ventilation characteristics | - |
| Space heater | - | Encoder type | - |
| Draining plugs position | 6H | Encoder characteristics | - |
| Nameplate material | Aluminium nameplate | Screw material | Steel screw |
| Endshield thermal protection | - | Adaptation for vibration sensor | - |
| Reinforced winding insulation | - | | |

Motor characteristics (on mains supply)

| Main voltage (V) | Rated Frequency (Hz) | HS rated power (kW) | Rated torque (N.m) | Rated speed (min-1) | Rated current (A) | Power factor at 4/4 of the load | Power factor at 3/4 of the load | Power factor at 2/4 of the load | Efficiency at 4/4 (IEC 60 034-2-1) of the load (%) | Efficiency at 3/4 (IEC 60 034-2-1) of the load (%) | Efficiency at 2/4 (IEC 60 034-2-1) of the load (%) |
|------------------|----------------------|---------------------|--------------------|---------------------|-------------------|---------------------------------|---------------------------------|---------------------------------|--|--|--|
| 380 | 50 | 3.000 | 9,95 | 2870.00 | 6.00 | 0.88 | | | 87.10 | | |
| 400 | 50 | 3.000 | 9,95 | 2885 | 5.8 | 0,86 | 0,81 | 0,7 | 87.30 | 88.47 | 88.24 |
| 415 | 50 | 3.000 | 9,95 | 2900.00 | 5.65 | 0.84 | | | 87.85 | | |
| 460 | 60 | - | - | 3505.00 | 5.10 | 0.85 | | | 87.60 | | |

Motor characteristics (on mains supply) 400 V 50 Hz

| | | | |
|---|-------|---------------------------------|-------|
| Starting torque (N.m) | 35.32 | Id / In | 8.35 |
| Average starting torque (N.m) | | Id | 48.43 |
| Maximum torque (N.m) | 34,33 | Maximum current (A) | |
| Unload maximum starting frequency (d/h) | - | No-load current (A) | 0.00 |
| Rotor locked time (cold) (s) | | Acoustic pressure level (dB(A)) | 67 |

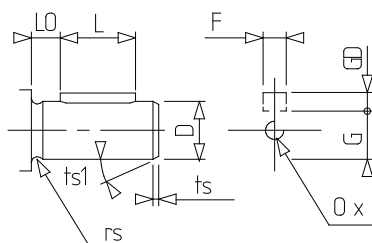
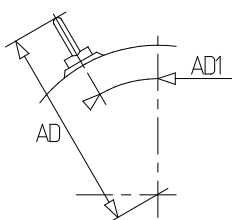
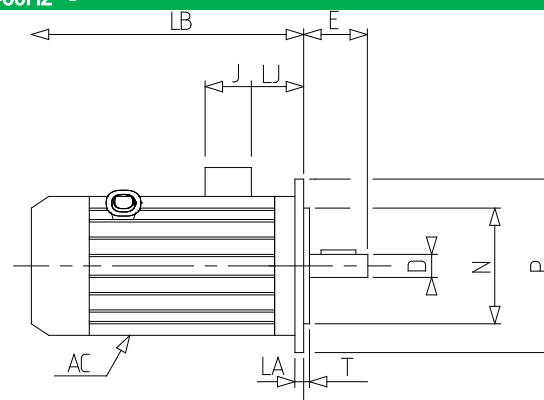
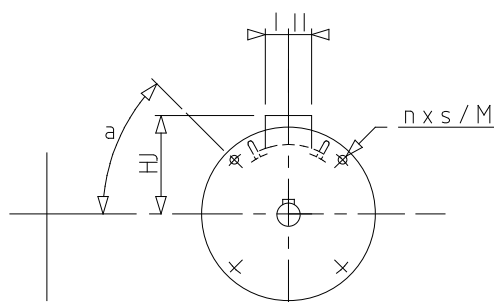
Motor characteristics (supplied via drives)

| Main voltage (V) | Nominal frequency (Hz) | Pn (kW) | Nn (min-1) | In (A) | Cos Phi | Mn @ f/10 (N.m) | Mn @ f/5 (N.m) | Mn @ f/3 (N.m) | Mn @ f/2 (N.m) | Mn (N.m) | Mn @ fx1.7 (N.m) | Mn @ fx2 (N.m) |
|------------------|------------------------|---------|------------|--------|---------|-----------------|----------------|----------------|----------------|----------|------------------|----------------|
| 400 D | 50 | 3 | 2885 | 6.1 | 0.86 | 0.00 | 8.46 | 9.95 | 9.95 | 9.950 | 5.72 | 0.00 |

N° :

Date : 16 févr. 2018

Induction motor - 2P LSES 100L 3kW IFT/IE3 B5 380D/400D/415D/690Y-460D 50-60Hz -



| | |
|------------|--------|
| a | 45 |
| AC | 200.00 |
| D | 28j6 |
| E | 60 |
| F | 8 |
| G | 24 |
| GD | 7 |
| HJ | 140.0 |
| I | 43 |
| II | 43 |
| J | 86 |
| L | 50 |
| LA | 12 |
| LB | 290.0 |
| LJ | 26.0 |
| LO | 6 |
| M | 215 |
| N | 180 |
| n | 4 |
| O | M10 |
| P | 250 |
| p | 22 |
| rs | 0.5 |
| S | 14.5 |
| T | 4 |
| ts | 2 |
| ts1 | 20 |